



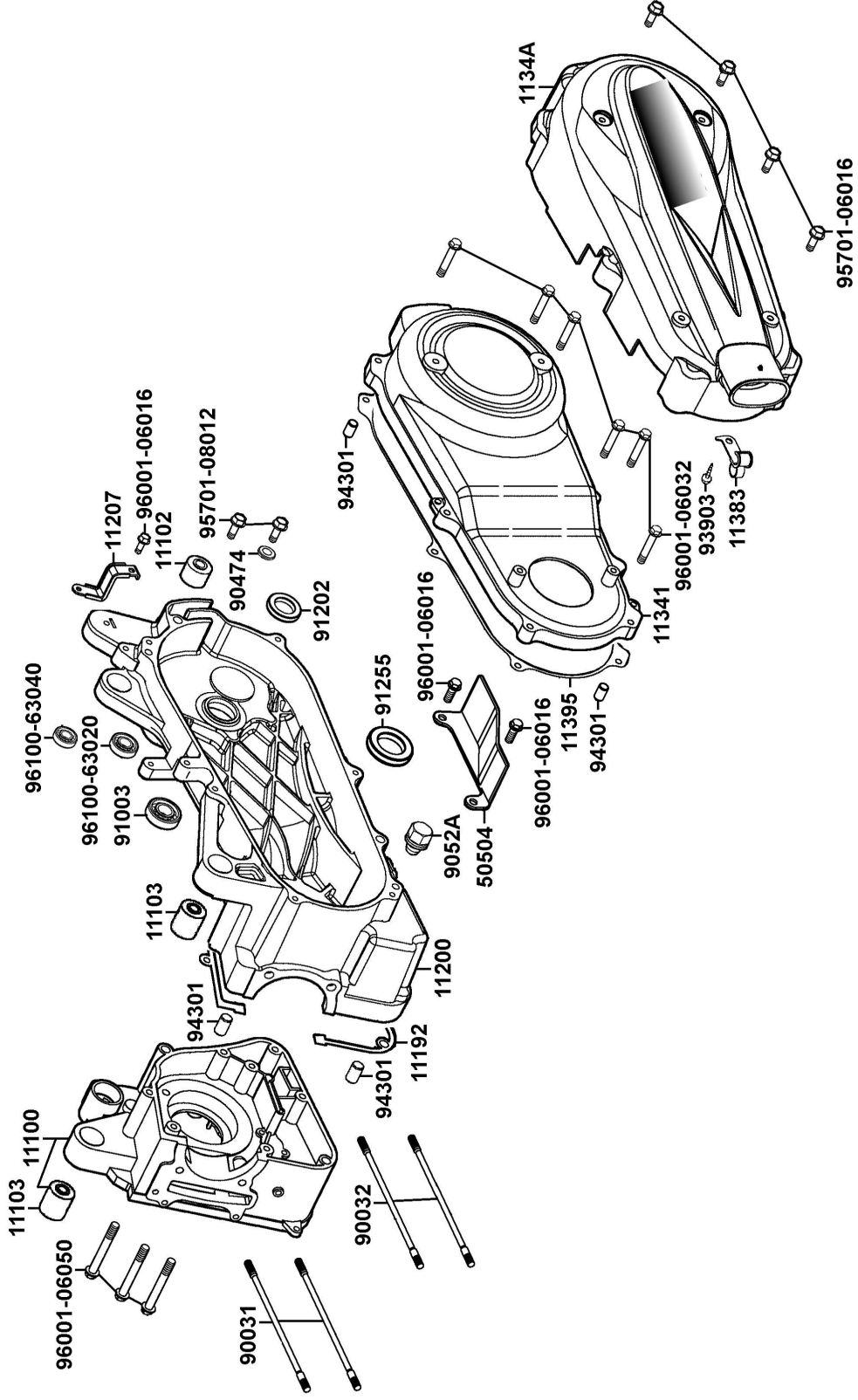
# Catalogue Pièces Détachées



**BUG RIDER 250 MONOPLACE**

Edition Janvier 2007 en Anglais  
Sous Réserves de Modifications

By 



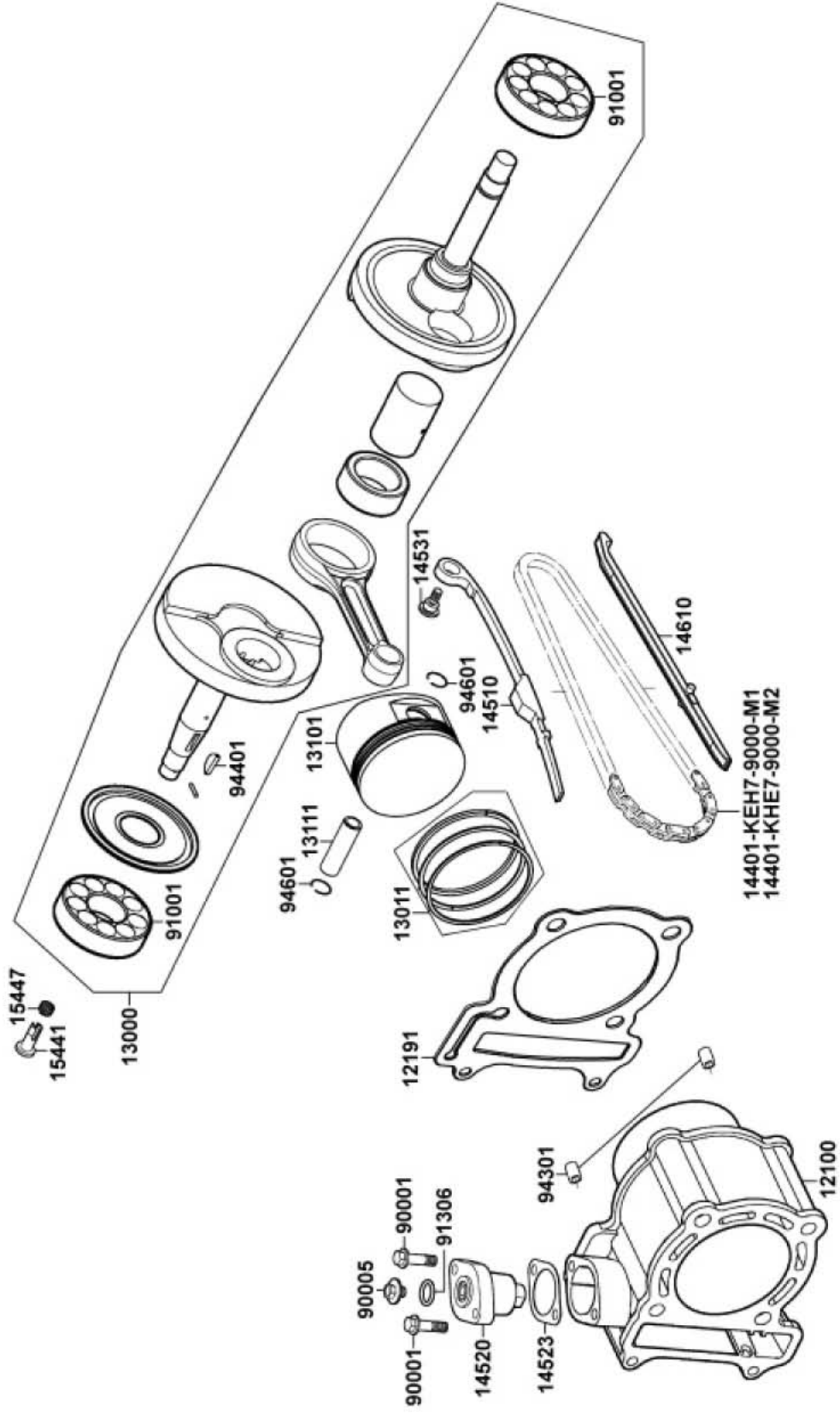
**E 1.****CARTER MOTEUR DROIT**

<b>N°</b>	<b>REF</b>	<b>QTE</b>	<b>Description</b>
	11100-KHE7-305.5	1	CRANK CASE SET R
	11102-1G87-004.1	1	RUB BUSH ENG HANGER
	11103-KHE7-900.0	2	RUB BUSH ENG HANGER
	11192-KHE7-900.0	1	GASKET CRANK CASE A
	11200-KHE7-900.3	1	CRANK CASE COMP L
	11207-KHE7-900.0	1	STAY RR INNER FENDER
	11341-KHE7-900.0	1	COVER LEFT
1134A	HE063150720	1	COVER COMPL COVER
	11383-KUDU-900.0	1	CLAMPER BREATHER DRAIN TUBE
	11395-KHE7-900.0	1	GASKET L COVER @ A
	50504-KHE7-900.0	1	STAY COMP MAIN STAND STOPPER
	90031-KEBE-900.0	2	BOLT A STUD 8MM
	90032-KEBE-900.0	2	BOLT B STUD 8MM
	90474-3C33-001.0	1	WASHER 8MM
	9052A-GFY6-950.1	1	BOLT ASSY DRAIN PLUG
	91003-KHE7-900.0	1	BRG BALL RADIAL TMB2/22CCS15
	91202-KHE7-900.0	1	OIL SEAL 22X34X6
	91255-GLE0-006.0	1	OIL SEAL 27X42X7
	93903-45380.0	1	SCREW TAPPING 5X16
	94301-10160.0	4	DOWEL PIN 10X16
	95701-06016-02.0	4	BOLT FLANGE SH 6X16
	95701-08012-08.0	2	BOLT FLANGE 8X12
	96001-06016-08.0	3	BOLT FLANGE 6X16
	96001-06032-08.0	6	BOLT FLANGE SH 6X32
	96001-06050-08.0	3	BOLT FLANGE 6X50
	96100-63020-00.0	1	BRG BALL RADIAL 6302
	96100-63040-00.1	1	BRG BALL RADIAL 6304
	.		



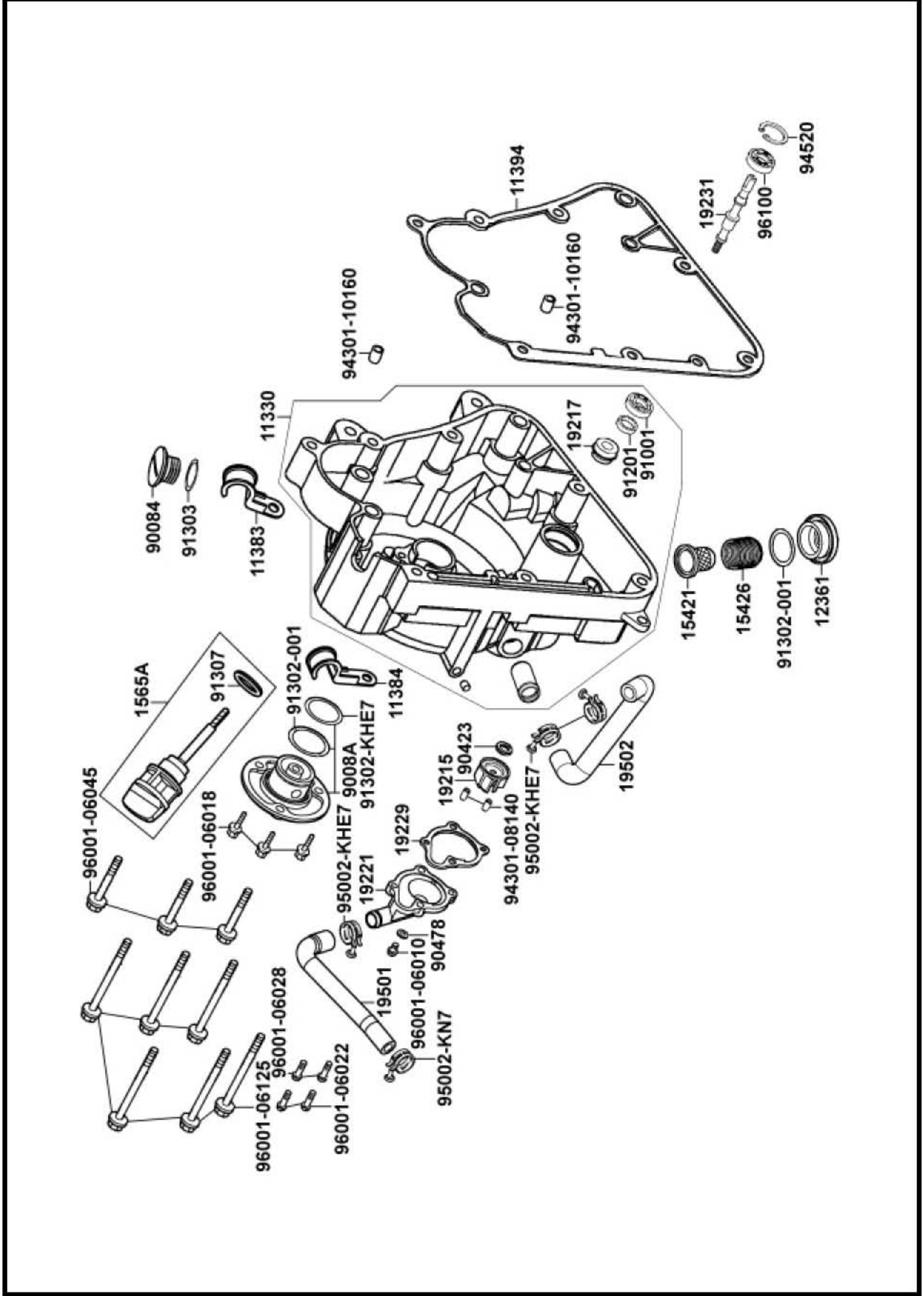
**E 2.****CULASSE**

<b>N°</b>	<b>REF</b>	<b>QTE</b>	<b>Description</b>
	12200-KHE7-900.0	1	HEAD COMP CYLN
	12209-GDB4-68A.0	2	SEAL VALVE STEM
	1221A-KHE7-900.0	1	HOLDER COMP CAM SHAFT
	12251-KHE7-901.0	1	GASKET CYLINDER HEAD
	12310-KHE7-900.1	1	COVER COMP CYLN HEAD
	12391-KHE7-900.0	1	GASKET HEAD COVER
	14100-KHE7-220.0	1	SHAFT COMP CAM
	14431-KHE7-900.0	2	ARM VALVE ROCKER
	14450-KEBE-900.0	1	SHAFT COMP IN ROCKER ARM
	14461-KHE7-900.0	1	SHAFT EX ROCKER
	14711-KHE7-900.0	1	VALVE INLET
	14721-KHE7-900.1	1	VALVE EXHAUST
	14751-KHE7-900.0	2	SPG VALVE OUTER
	14761-KHE7-900.0	2	SPG VALVE INNER
	14771-GDB4-680.2	2	RETAINER VALVE SPRING
	14775-MFA6-001.0	2	SEAT VALVE SPG OUTER
	14781-MFA6-001.0	4	COTTER VALVE
	17110-KHE7-900.0	1	PIPE COMP INLET
	18601-MAJ1-791.0	1	REED VALVE COMP
	18612-GFY6-941.0	1	COVER REED VALVE
	18645-GFY6-941.0	1	GSKT A/I PIPE
	18646-GFY6-941.0	1	GASKET A/I PIPE
	18647-KHE7-900.0	1	PIPE COMP AIR
	19300-KAE1-004.0	1	THERMOSTAT ASSY
	19310-KHE7-900.1	1	CASE COMP THERMOSTAT
	19315-KHE7-900.0	1	COVER THERMOSTAT
	19503-KHE7-900.1	1	HOSE C WATER
	37720-KGB5-900.0	1	EARTH TERMINAL THERMO
	37750-PAC1-005.0	1	THERMO UNIT ASSY
	90012-3C33-001.0	2	SCREW TAPPET ADJUSTING
	90033-GFY6-900.0	2	BOLT STUD 8X32
	90033-GFY6-941.0	2	BOLT STUD 6X16
	90206-0A01-001.0	2	NUT TAPPET ADJUSTING
	90304-4H38-001.0	2	NUT HEX CAP 6MM
	90465-MDC4-001.0	4	WASHER 8MM
	90478-7L00-001.0	2	WASHER A 6MM
	90652-GFY6-901.1	1	BAND 49 AIR/C CONNECTING TUBE
	91301-KHE7-900.0	1	O-RING 17.8X1.9
	91302-2L00-001.0	1	O-RING 33.5X3
	92900-06050-0B.0	2	BOLT STUD 6X50
	93500-05016-0H.0	2	SCREW PAN 5X16
	94050-06080.0	2	NUT FLANGE 6MM
	94050-08080.0	4	NUT FLANGE 8MM
	94301-10160.0	4	DOWEL PIN 10X16
	94591-KFBF-900.2	1	CLIP 2X71
	95002-KHE7-900.0	1	CLIP WATER HOSE
	95701-06025-08.0	5	BOLT FLANGE 6X25
	95701-06040-08.0	2	BOLT FLANGE 6X40
	96001-06018-08.0	1	BOLT FLANGE SH 6X18
	96001-06100-08.0	2	BOLT FLANGE SH 6X100
	98069-5791R-00.0	1	SPARK PLUG DPR(7EA-9)



**E 3.****CYLINDRE - PISTON - VILLEBREQUIN**

<b>N°</b>	<b>REF</b>	<b>QTE</b>	<b>Description</b>
	12100-KHE7-900.4	1	CYLINDER COMP
	12191-KHE7-900.4	1	GASKET CYLINDER
	13000-KHE7-900.10	1	CRANK SHAFT COMP
	13011-KHE7-900.0	1	RING SET PISTON
	13101-KHE7-900.3	1	PISTON
	13111-KHE7-900.2	1	PIN PISTON
	14401-KHE7-90A.0	1	CHAIN CAM
	14401-KHE7-90B.0	1	CHAIN CAM
	14510-KHE7-900.0	1	TENSIONER CAM CHAIN
	14520-GFY6-90A.1	1	LIFTER ASSY TENSIONER
	14523-GFY6-901.0	1	GASKET TENSIONER LIFTER @ A
	14531-KHE7-900.0	1	PIVOT CAM CHAIN TENSIONER
	14610-KHE7-900.0	1	GUIDE COMP CAM CHAIN
	15441-1K49-001.0	1	OIL THROUGH
	15447-1K49-001.0	1	SPG OIL THROUGH
	90001-GBHB-661.0	2	BOLT FLANGE SHF 6X22
	90005-KEC8-900.0	1	BOLT SPECIAL 6X6
	91001-KHE7-90A.0	2	BRG BALL RADIAL TMB307JR2CS19
	91306-1E05-691.0	1	O-RING 1.5X9.5
	94301-10160.0	2	DOWEL PIN 10X16
	94401-25140.4	1	WOODRUFF KEY 25X14
	94601-17000.0	2	CLIP PISTON PIN 17MM
	.		





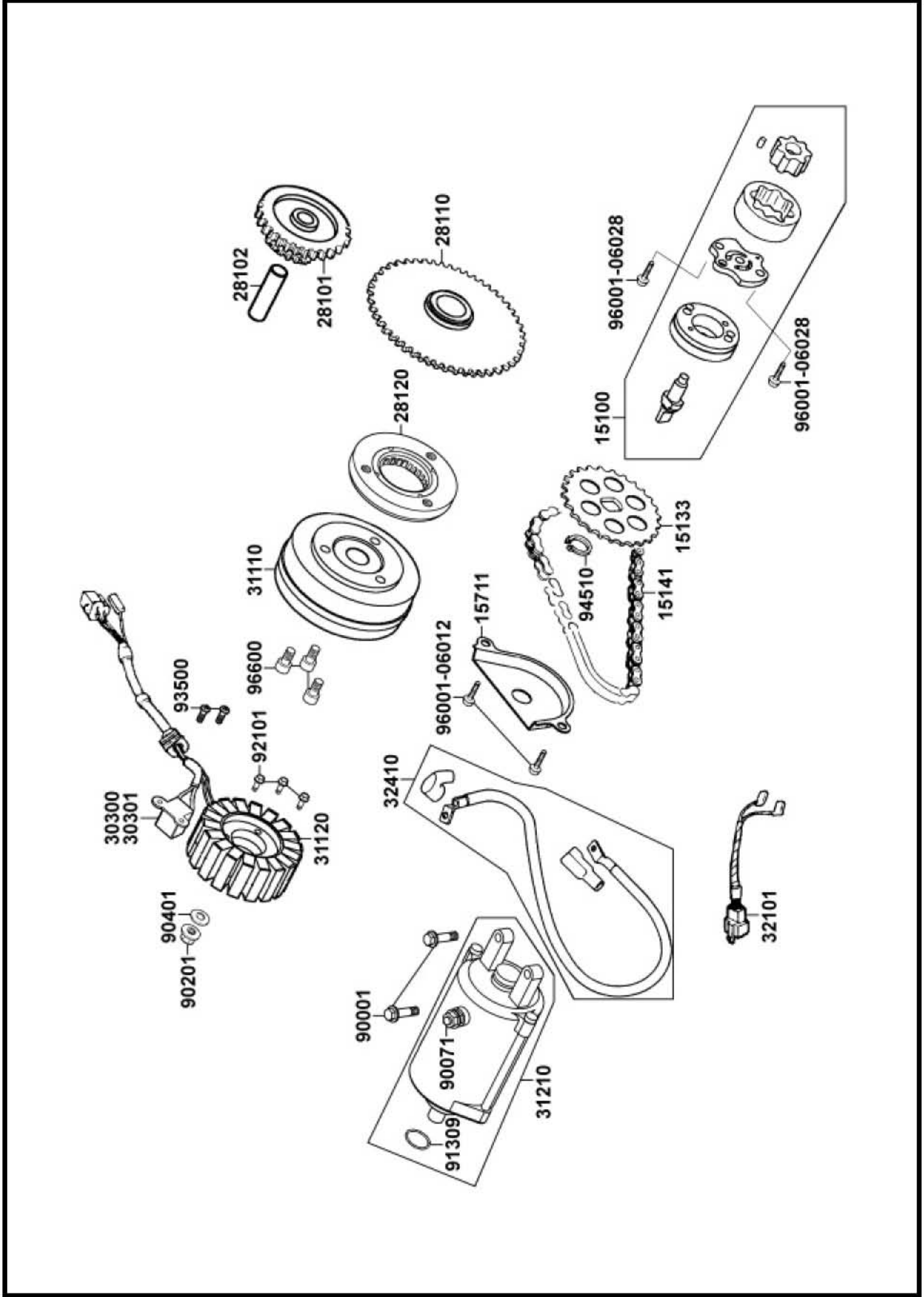
**E 4.****CARTER DROIT - POMPE A EAU**

<b>N°</b>	<b>REF</b>	<b>QTE</b>	<b>Description</b>
	11330-KHE7-900.5	1	COVER COMP RIGHT
	11383-KHE7-900.0	1	CLAMPER RR BRK HOSE
	11384-KHE7-900.1	1	CLAMPER A RR BRK HOSE
	11394-KHE7-900.1	1	GASKET R COVER @ A
	12361-GFY6-901.1	1	HOLE CAP TAPPET ADJUSTING
	15421-1G07-001.0	1	SCREEN OIL FILTER
	15426-GAE1-921.0	1	SPG OIL FILTER SCREEN
	1565A-KEBE-900.0	1	GAUGE OIL LEVEL ASSY
	19215-KHE7-900.0	1	IMPELLER WATER PUMP
	19217-6G57-024.0	1	SEAL MECHANICAL
	19221-KHE7-900.0	1	COVER WATER PUMP
	19229-KHE7-900.0	1	GASKET WATER PUMP
	19231-KKJ9-011.0	1	SHAFT WATER PUMP
	19501-KHE7-900.0	1	HOSE A WATER
	19502-KHE7-900.0	1	HOSE B WATER
	90084-4H28-001.0	1	CAP A.C.G
	9008A-KHE7-900.0	1	CAP ASSY R COVER
	90423-KKJ9-001.0	1	WASHER 7.2X13X1.2
	90478-7L00-001.0	1	WASHER A 6MM
	91001-KKJ9-006.0	1	BEARING BALL RADIAL 6901
	91201-KKJ9-004.0	1	OIL SEAL 12X20X4
	91302-0A01-021.0	2	O-RING 30.8MM
	91302-KHE7-900.0	1	O-RING 27.4X2.1
	91303-3G77-001.0	1	O-RING 13.8X2.5
	91307-0E35-001.0	1	O RING 18X3
	94301-08140.0	2	DOWEL PIN 8X14
	94301-10160.0	2	DOWEL PIN 10X16
	94520-26000.0	1	CIR CLIP INTERAL 26MM
	95002-KHE7-900.0	3	CLIP WATER HOSE
	95002-KGN7-910.1	1	CLIP TUBE
	96001-06010-00.0	1	BOLT FLANGE SH 6X10
	96001-06018-08.0	3	BOLT FLANGE SH 6X18
	96001-06022-08.0	2	BOLT FLANGE SH 6X22
	96001-06028-08.0	2	BOLT FLANGE SH 6X28
	96001-06045-08.0	3	BOLT FLANGE SH 6X45
	96001-06125-08.0	6	BOLT FLANGE SH 6X125
	96100-60000-00.0	1	BEARING BALL RADIAL 6000



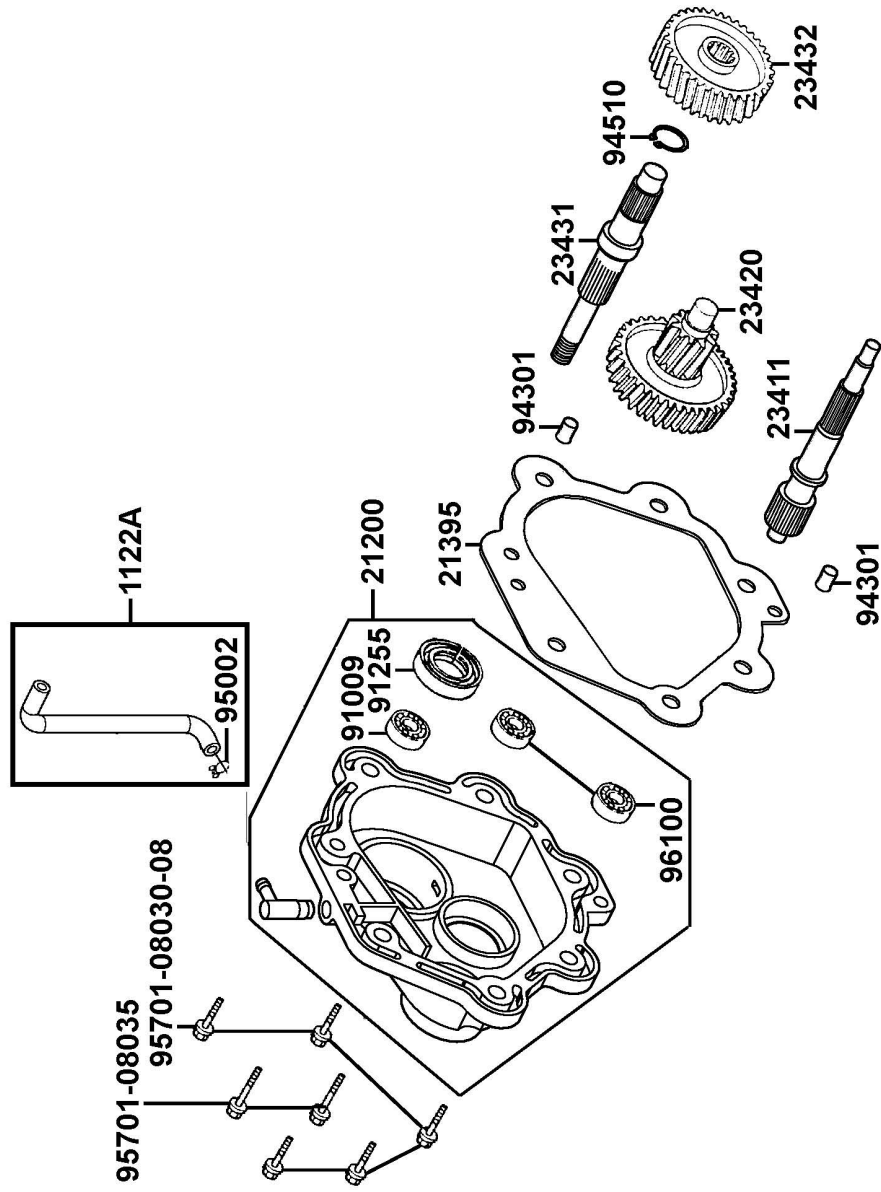
**E 5.****VARIATEUR**

<b>N°</b>	<b>REF</b>	<b>QTE</b>	<b>Description</b>
	22101-KHE7-900.0	1	OUTER CLUTCH
	22102-KHE7-900.1	1	FACE DRIVE
	22105-KHE7-900.1	1	BOSS DRIVE FACE
	22110-KHE7-900.4	1	FACE COMP MOVABLE DRIVE
	22112-KHE7-900.1	1	BUSH 27X33X37
	22121-KHE7-90A.1	6	ROLLER COMP WEIGHT
	22131-KHE7-900.0	1	PLATE RAMP
	22132-KHE7-900.2	3	PIECE SLIDE
	22300-KHE7-900.1	1	PLATE ASSY DRIVE
	22350-KHE7-900.0	1	PLATE COMP DRIVE
	22361-KHE7-900.0	1	PLATE CLUTCH SIDE
	22401-KHE7-900.0	3	SPRING CLUTCH
	22530-KHE7-900.0	3	WEIGHT CLUTCH
	22804-GBB2-001.0	3	RUBBER CLUTCH DAMPER
	2301A-LLJ3-E00.1	1	PULLEY SUB ASSY
	23100-KHE7-900.0	1	BELT DRIVE
	23200-KHE7-900.4	1	FACE ASSY DRIVEN
	23220-KHE7-900.3	1	FACE COMP MOVABLE DRIVEN
	23225-KHE7-900.0	4	PIN ROLLER GUIDE
	23226-GHC8-004.0	4	ROLLER GUIDE
	23233-KHE7-900.0	1	SPG DRIVEN FACE
	23237-KHE7-900.0	1	COLLAR SEAL
	23238-KHE7-900.0	1	COLLAR SPG
	90201-KHE7-900.0	1	NUT C FLANGE M12
	90201-KHR8-75A.0	1	NUT FLANGE 14MM
	90202-1G87-001.0	1	NUT SPECIAL 28MM
	90401-KKJ9-001.0	1	WASHER THRUST 14X28X2
	90441-GFY6-941.0	1	WASHER 12.2X29X2.5
	90605-1F66-721.0	3	CIR CLIP 7MM
	91002-GGA7-70A.0	1	BRG BALL RADIAL 6902U
	91004-KHE7-900.1	1	BRG NDL 22X29X18
	91211-KHE7-900.0	2	SEAL DRIVEN FACE 40X47X4
	91351-KHE7-900.0	2	O-RING PINION CAP
	94520-28000.0	1	CIR CLIP IN 28 MM
	94601-33000.0	1	CLIP 33MM



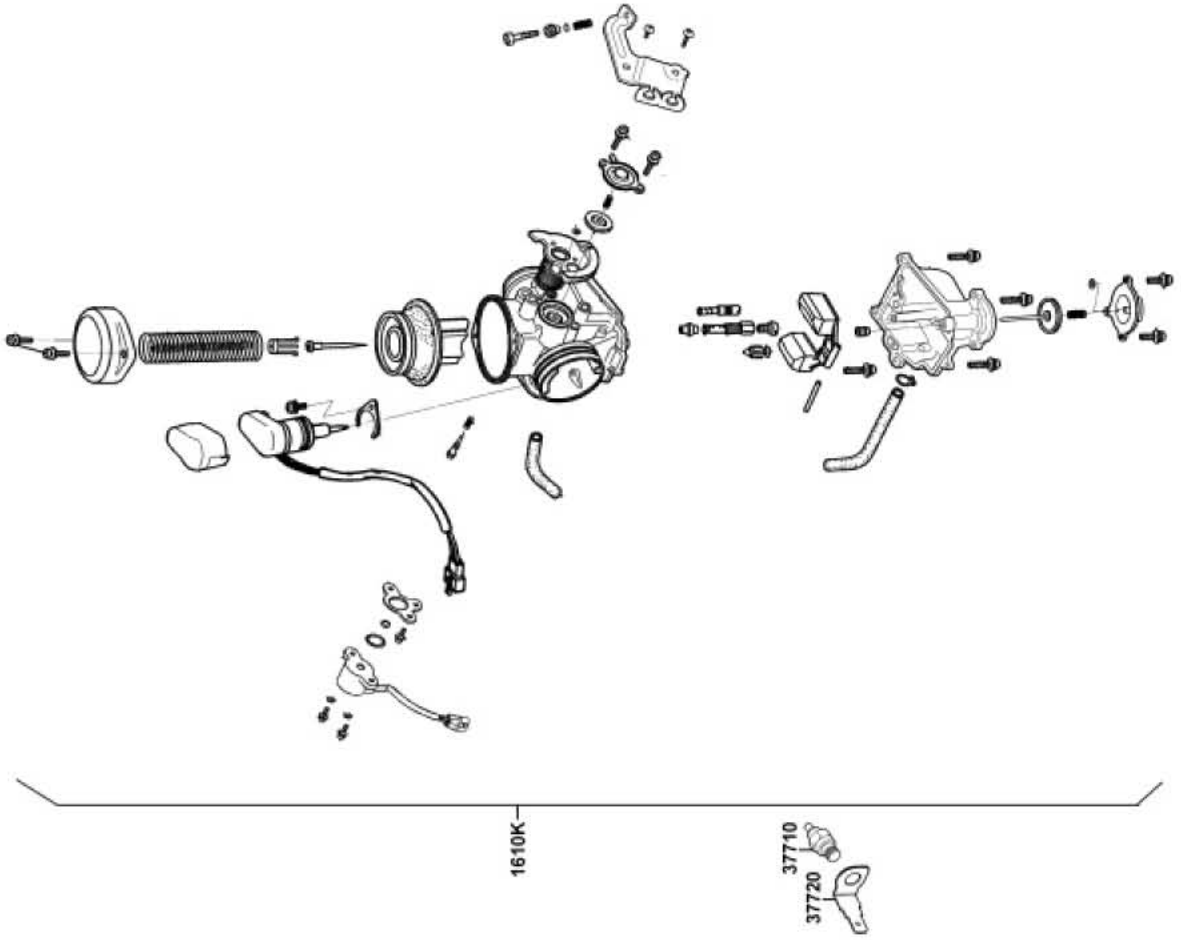
**E 6.****DEMARREUR - ALLUMAGE - POMPE A HUILE**

<b>N°</b>	<b>REF</b>	<b>QTE</b>	<b>Description</b>
	15100-KEBE-900.0	1	PUMP ASSY OIL
	15133-KAM1-001.0	1	SPROCKET OIL PUMP DRIVE
	15141-KKJ9-004.0	1	CHAIN OIL PUMP
	15711-KHE7-900.0	1	SEPARATER OIL
	28101-KHE7-900.0	1	GEAR STARTER REDUCTION
	28102-KHE7-900.0	1	SHAFT STARTER REDUCTION GEAR
	28110-KHE7-900.2	1	GEAR COMP STARTING CLUTCH
	28120-KHE7-E00.0	1	ONE WAY CLUTCH STARTER ASSY
	30300-KEBE-900.2	1	GEN ASSY PULSE
	30301-KEBE-90B.0	1	GEN ASSY PULSE
	31110-KHE7-90A.0	1	FLYWHEEL COMP
	31120-KHE7-90A.3	1	STATOR COMP
	31210-KHE7-90A.1	1	MOTOR UNIT STARTER
	32101-KHE7-E00.0	1	SUB CORD
	32410-KHE7-900.0	1	CABLE STARTER MOTOR
	90001-GBHB-661.0	2	BOLT FLANGE SHF 6X22
	90071-MLB0-001.0	1	NUT WASH 6MM
	90201-KHR8-75A.0	1	NUT FLANGE 14MM
	90401-KKJ9-001.0	1	WASHER THRUST 14X28X2
	91309-4E25-004.0	1	O-RING 24.4X3.1
	92101-05032-0H.0	3	BOLT HEX 5X32
	93500-05016-0H.0	2	SCREW PAN 5X16
	94510-10000.0	1	CIR CLIP EX 10MM
	96001-06012-08.0	2	BOLT FLANGE SH 6X12
	96001-06028-08.0	2	BOLT FLANGE SH 6X28
	96600-08015-10.1	3	SOCKET BOLT 8X15
	.		



**E 7.****TRANSMISSION**

<b>N°</b>	<b>REF</b>	<b>QTE</b>	<b>Description</b>
	1122A-KHE7-900.0	1	TUBE ASSY MISSION BREATHER
	21200-KHE7-305.0	1	CASE COMP MISSION
	21395-KHE7-900.0	1	GASKET MISSION COVER @ A
	23411-KHE7-900.3	1	SHAFT DRIVE
	23420-KHE7-910.1	1	SHAFT COMP COUNTER
	HE1414110000	1	SHAFT FINAL
	23432-KHE7-910.0	1	GEAR FINAL
	91009-KHE7-900.0	1	BRG BALL RADIAL 6205LLU
	91255-KHE7-900.0	1	OIL SEAL 34X52X7
	94301-10160.0	2	DOWEL PIN 10X16
	94510-25000.0	1	CIR CLIP EXTERNAL 25
	95002-02080.0	1	CLIP B8 TUBE
	95701-08030-08.0	5	BOLT FLANGE 8X30
	95701-08035-08.0	2	BOLT FLANGE 8X35
	96100-63020-00.0	2	BRG BALL RADIAL 6302
	.		



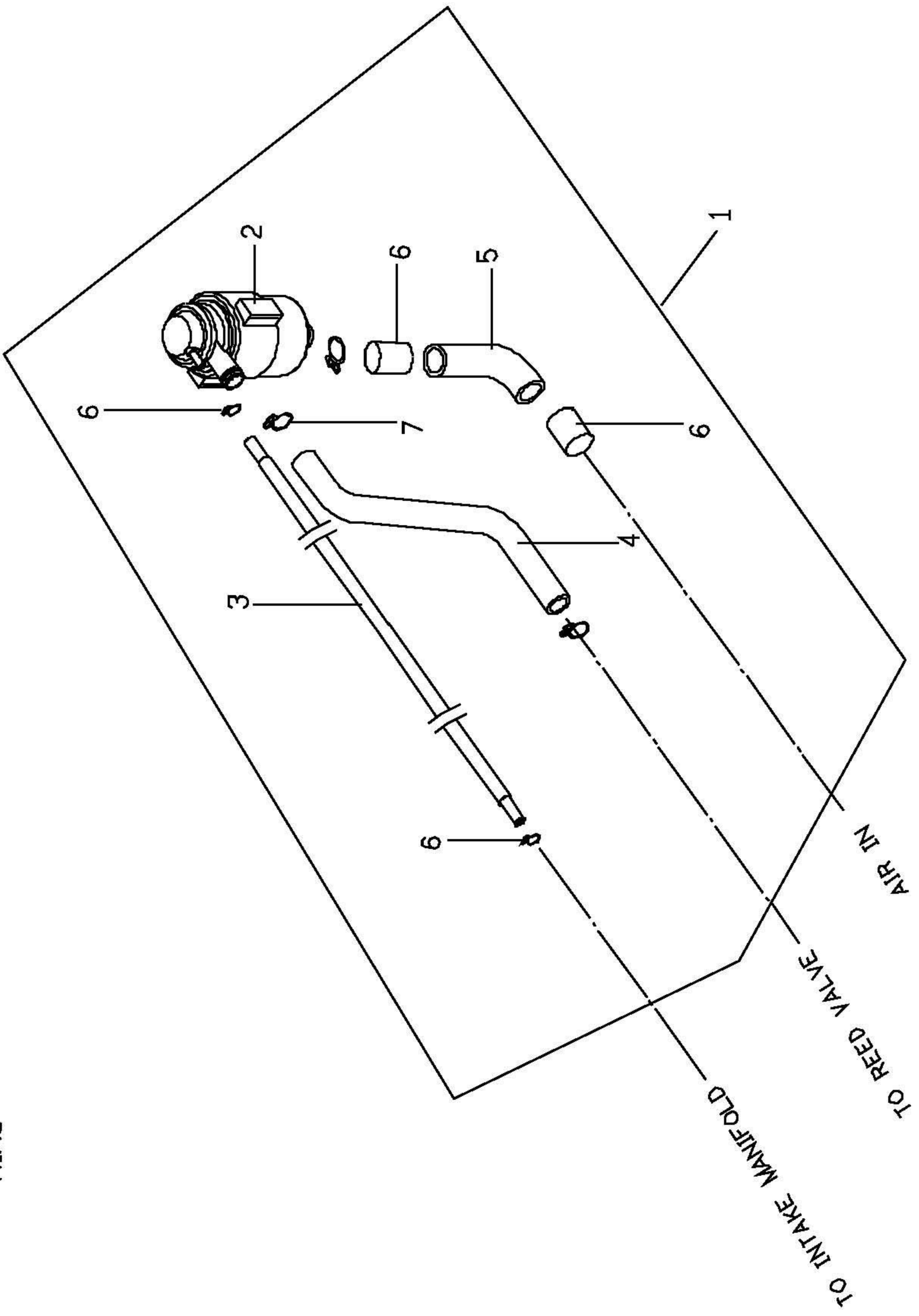


**E 8.****CARBURATEUR**

<b>N°</b>	<b>REF</b>	<b>QTE</b>	<b>Description</b>
	1610K-KHE7-BL1.0	1	CARBURETOR ASSY
	37710-KGBG-E00.0	1	HEATER
	37720-KGBG-E00.0	1	EARTH TERMINAL
	1052-862-2101	1	FLOAT COMP.
	1402-939-210	1	VACUUM PISTON COMP.
	16155-ZG8-L100	1	FLOAT VALVE SET
	4000-233-000	1	AUTO BYSTARTER SET
	99101-116-1150	1	MAIN JET (#115)
	N425-7AF01	1	JET NEEDLE COMP.
	.		

E9.

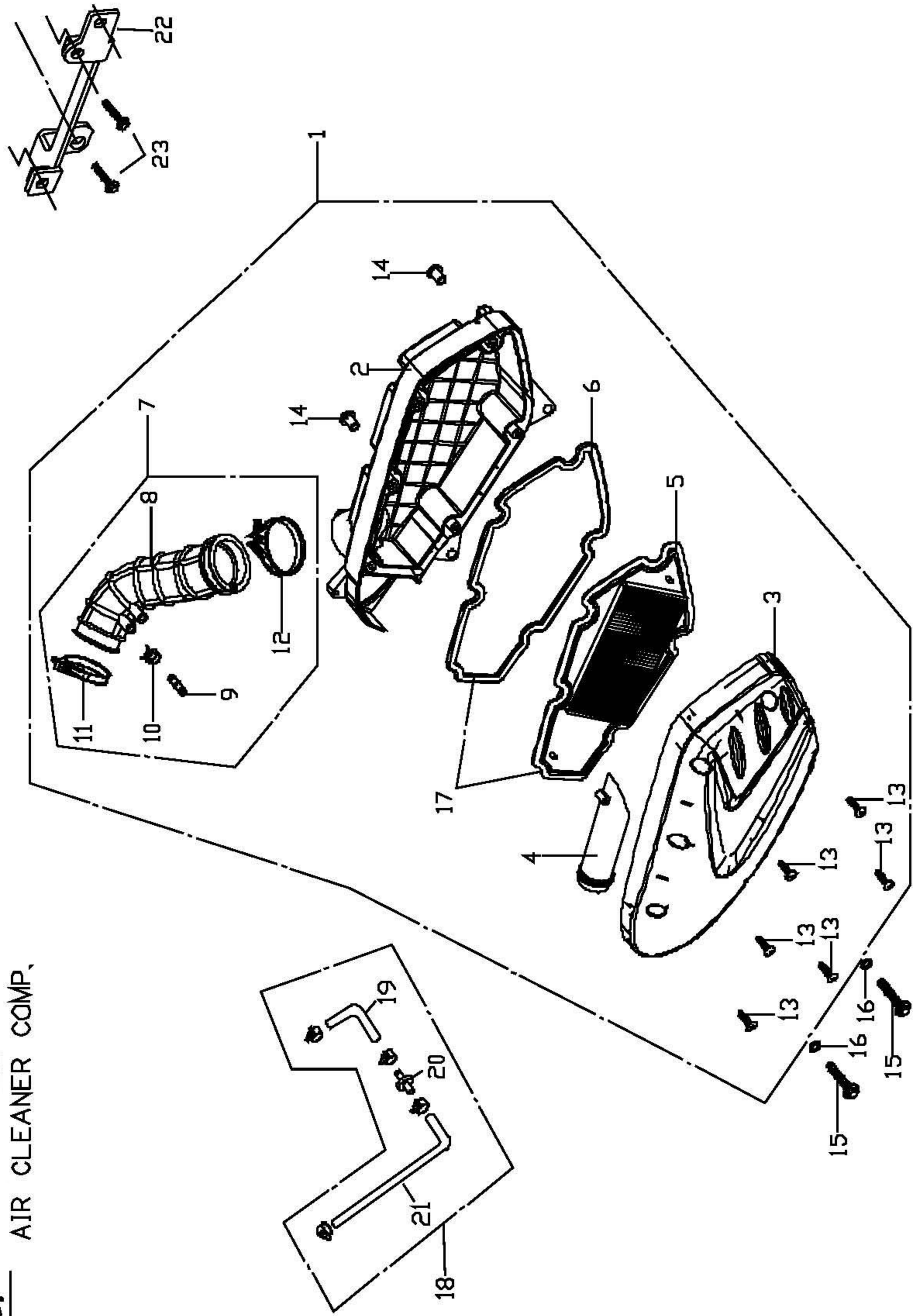
AIAC



**E 9.****AIAC**

<b>N°</b>	<b>REF</b>	<b>QTE</b>	<b>Description</b>
1	B72863000001	1	AIAC COMP. (BR250-SINGLE)
2	P62862100002	1	AIAC ASSY.
3	B72862400001	1	VACUUM PIPE (A) (BR250-SINGLE)
4	B72862700001	1	TUBE (A) (BR250-SINGLE)
5	P62862700000	1	TUBE (B)
6	C1286310000	2	ISOLATION
7	92200700000	2	HOSE CLAMP
8	92211700000	3	CLAMP

E10. AIR CLEANER COMP.

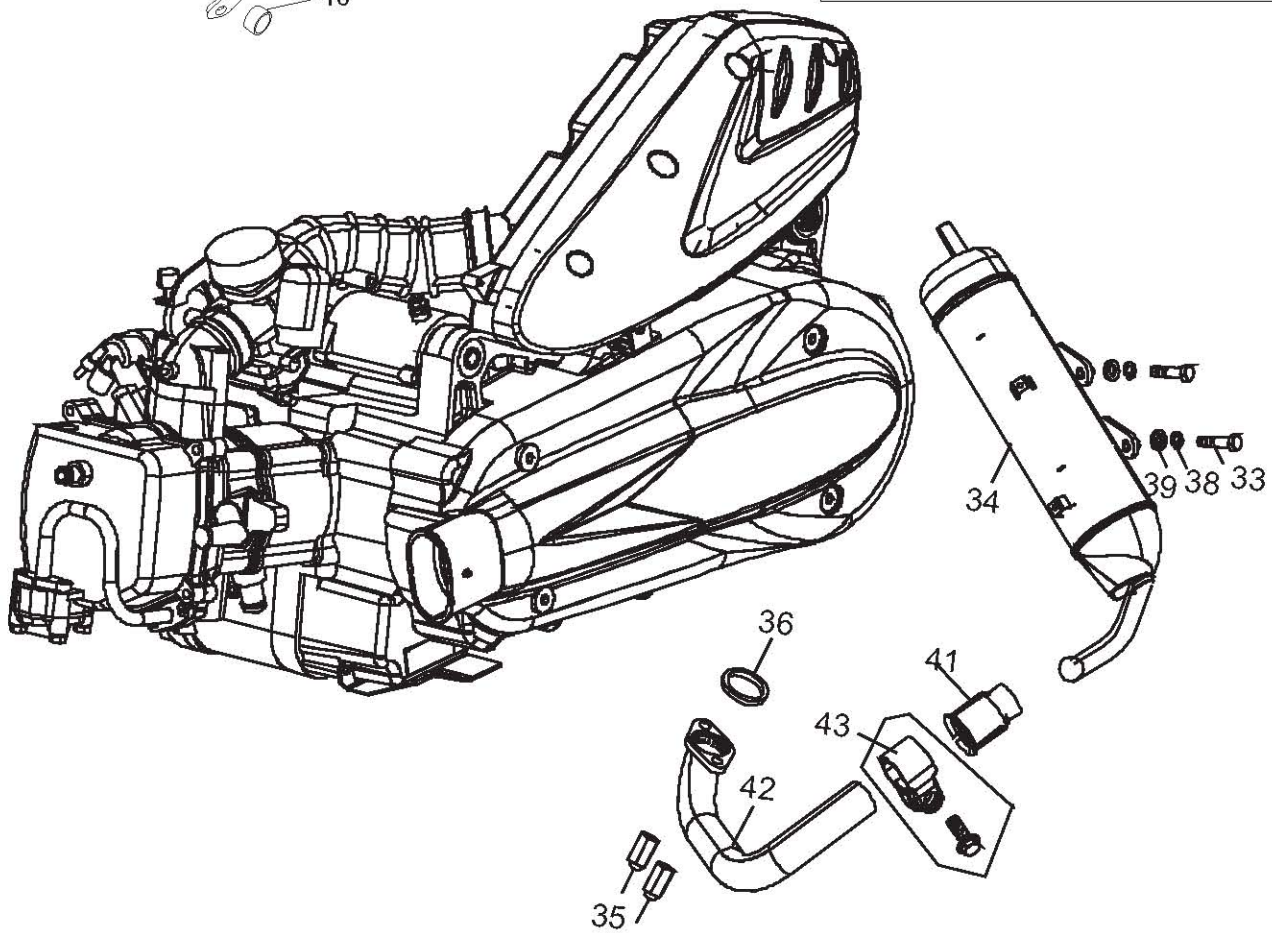
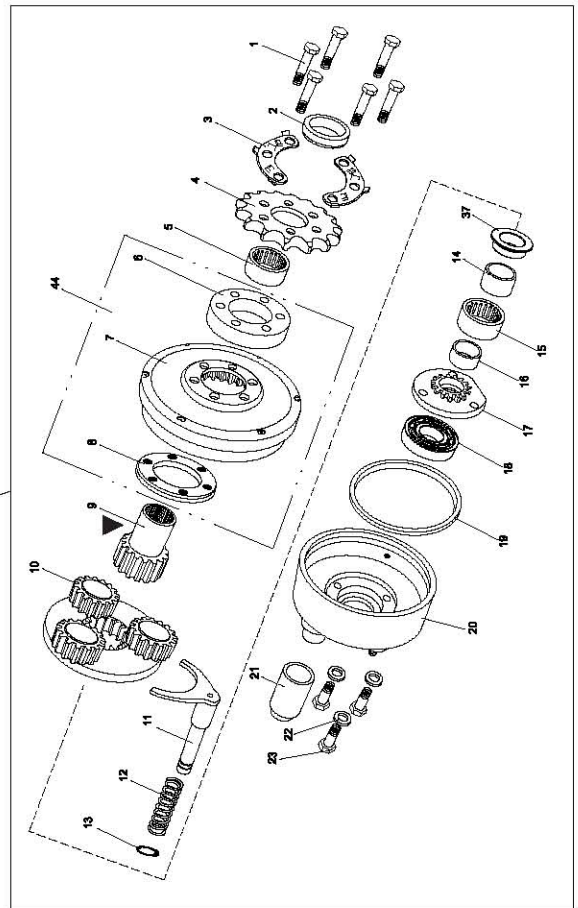
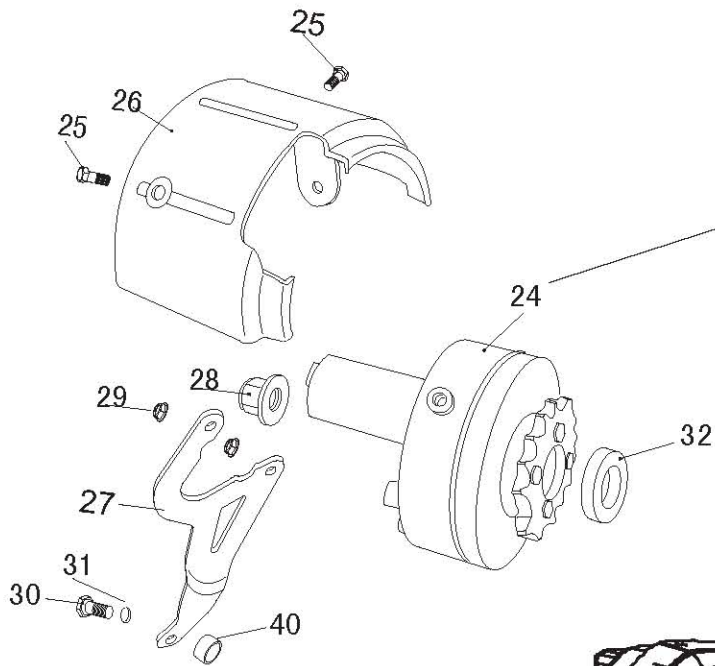


**E10.****FILTRE A AIR**

<b>N°</b>	<b>REF</b>	<b>QTE</b>	<b>Description</b>
1	B72620000000	1	AIR CLEAN ASSEMBLY
2	NA	1	PAS DISPONIBLE SEUL
3	M2262020000	1	AIR CLEANER COVER
4	M2262060000	1	INDUCT PIPE
5	M2262030000	1	ELEMENT, AIR CLEANER
6	M2262040000	1	PACKING
8	B72620500000	1	OUTLET PIPE
9	M2262360000	1	2 WAY CONNECTOR
10	92221000001	1	PLAIN CLIP
11	B72621100000	1	CLIP
12	M2262380000	1	CLIP
13	90150502500	6	TAPPING SCREW
14	NE262060000	2	BUSH
15	90190602700	2	HEXAGON FLANGE BOLT
16	92140600005	2	PLAIN WASHER
17	M2262070000	1	ELEMENT & PACKING ASSY.
18	B70711900000	1	PCV PIPE ASSY.
19	B70711400000	1	PIPE A
20	B70711600000	1	CONNECTOR
21	B70711700000	1	PIPE B
22	B77060100000	1	FIXING PLATE, AIR CLEANER
23	90190601500	2	HEXAGON FLANGE BOLT

# F 1.BR250-SINGLE

## ENGING/MUFFLER

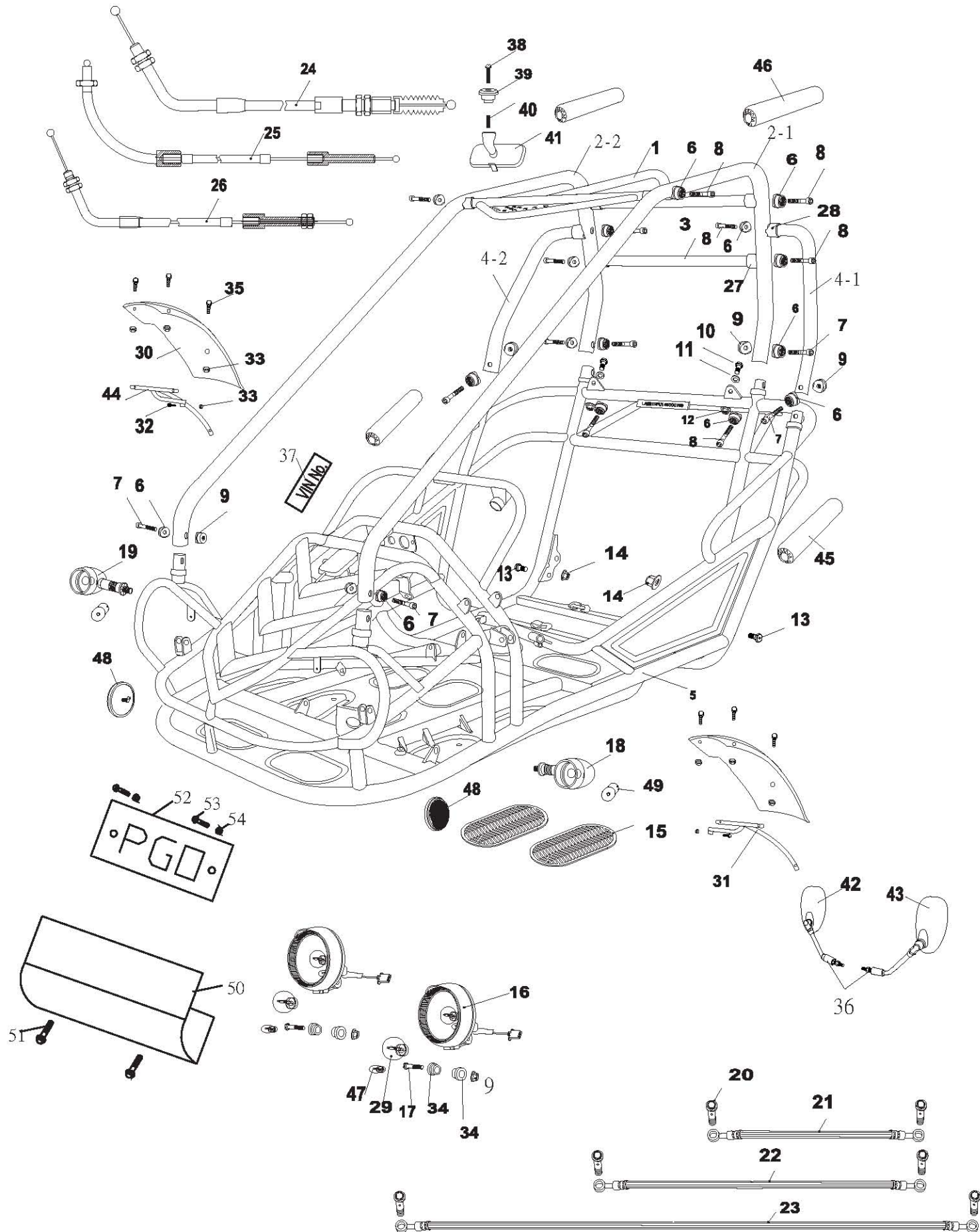


**F 1.****INVERSEUR DE MARCHE**

<b>N°</b>	<b>REF</b>	<b>QTE</b>	<b>Description</b>
1	90020602503	6	BOLT (M6*1.0*25)
2	B51445600000	1	INTERNAL COLLAR
3	B71445700000	2	KEEPER
4	B74922000000	1	DRIVE SPROCKET
5	96550263501	1	NEEDLE BEARING 26*35*20
6	B74951300000	1	FLANGE PLATE, GEAR CASE
7	B74950100000	1	GEAR CASE.L
8	B74951400000	1	FLANGE PLATE, GEAR CASE
9	B54950200002	1	DRIVE GEAR
10	B74950300000	1	COUNTER GEAR SHAFT COMP
11	B54950500001	1	GEAR SHIFTING YOKE
12	B54950400001	1	SPRING.GEAR SHIFTING YOKE
13	B57060900000	1	CIRCLIP
14	B74950800000	1	BUSHING.DRIVE GEAR
15	96550223001	1	NEEDLE BEARING 22*30*14
16	B54950800002	1	BUSHING.DRIVE GEAR
17	B54951500000	1	GEAR SEAT
18	96510600302	1	BEARING 6003 DDU
19	B54950600001	1	RUBBER OIL SEAL
20	B74950000000	1	GEAR CASE.R
21	B54950900001	1	COVER.GEAR SHITING YOKE
22	92140800009	3	WASHER. LOCK
23	90020802100	3	SCREW. PAN M8*21
24	B514P00000003	1	REVERSE ASS'Y
25	90200601201	2	BOLT WASHER M6
26	B71445400001	1	CHAIN PROTECTOR, RR
27	B71440500000	1	BRACKET, REVERSE
28	92011600000	1	NUT FLANGE LOCK M16
29	92020800006	2	NUT FLANGE LOCK M8
30	90190803201	1	BOLT STRAP M8*1.25*32
31	92110800000	1	SPRING WASHER
32	B71445100000	1	INTERNAL SPACER
33	90190804003	1	HEXAGON BOLT
34	B72815000001	1	MUFFLER ASS'Y
35	92050800000	2	CASTLE NUT
36	HE281020000	1	GASKET, MUFFLER
37	B54951600000	1	COLLAR
38	92110800000	2	SPRING WASHER
39	92140800000	2	PLAIN WASHER
40	B67010700000	1	COLLAR
41	HE2810700000	1	PACKING
42	B72811000001	1	EXHAUST PIPE ASSY FRT SECTION
43	HE2810810000	1	CONNECTOR ASSY.
44	B51440200002	1	INNER RING GEAR ASY.
45	M24860000005	1	ENGINE HANGER COMP.
46	90191023500	1	HEXAGON FLANGE BOLT
47	92061000001	1	HEXAGON LOCK NUT

# F2-1 (BR250-SINGLE)

## FRAME GROUP



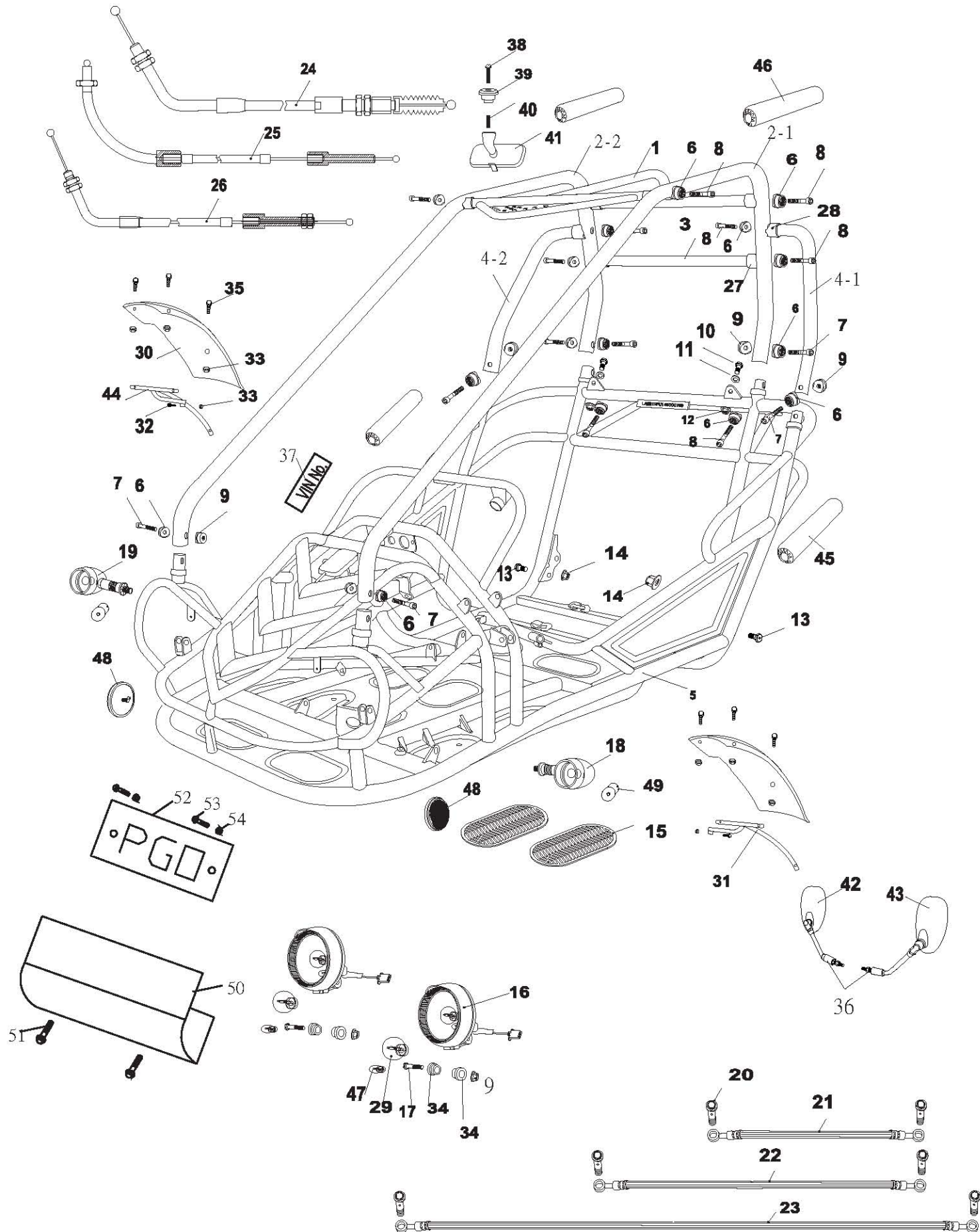


**F 2.****CHASSIS + ARCEAUX**

<b>N°</b>	<b>REF</b>	<b>QTE</b>	<b>Description</b>
1	B54210107I0	1	ROLL CAGE CROSS. FRT
2-1	B54210207I0	1	ROLL CAGE BAR., LH
2-2	B542A0207I0	1	ROLL CAGE BAR. ,RH
3	B54210307I0	1	ROLL CAGE CROSS BAR. RR
4	B54210407I0	2	ROLL CAGE BAR. L.R.SIDE
5	B74210007I01	1	FRAME COMP
6	B5701070000	20	R-WASHER
7	90200805500	6	BOLT-WASHER M12*1.25*55
8	90200805501	10	BOLT-WASHER M8*1.25*55
9	92040800003	8	NUT.FLANGE LOCK M8
10	B5706030000	2	SPECIAL BOLT.
11	B5701050000	2	WASHER.BELT
12	B5706040000	2	NUT. BELT
13	90201202500	2	BOLT-WASHER M12*1.25*25
14	92041200003	2	NUT.FLANGE LOCK M12
15	B5624500000	4	FOOT PLATE. RUBBER
16	B56610000001	2	HEADLIGHT UNIT
17	90200805000	2	BOLT-WASHER M8*1.25*50
18	B566D010000	1	TIRN SIGNAL LAMP ASSY(LF,RR)
19	B566C010000	1	TIRN SIGNAL LAMP ASSY(RF,LR)
20	B5403810000	6	BRAKE HOSE BOLT
21	B74036000000	1	HOSE ASSY. LH BRAKE 34"
22	B74036000001	1	HOSE ASSY. RH BRAKE 43"
23	B74037000000	1	HOSE ASSY. RR BRAKE 75"
24	B75446010000	1	CABLE COMP. THROTTLE
25	B75444000000	1	CABLE COMP. REVERSE
26	B75444100000	1	CABLE COMP. PARKING BRAKE
27	B5421050000	6	TUBE SEAT
28	B5421060000	2	TUBE SEAT
29	B5661010000	2	BULB, HEADLAMP

# F2-1 (BR250-SINGLE)

## FRAME GROUP

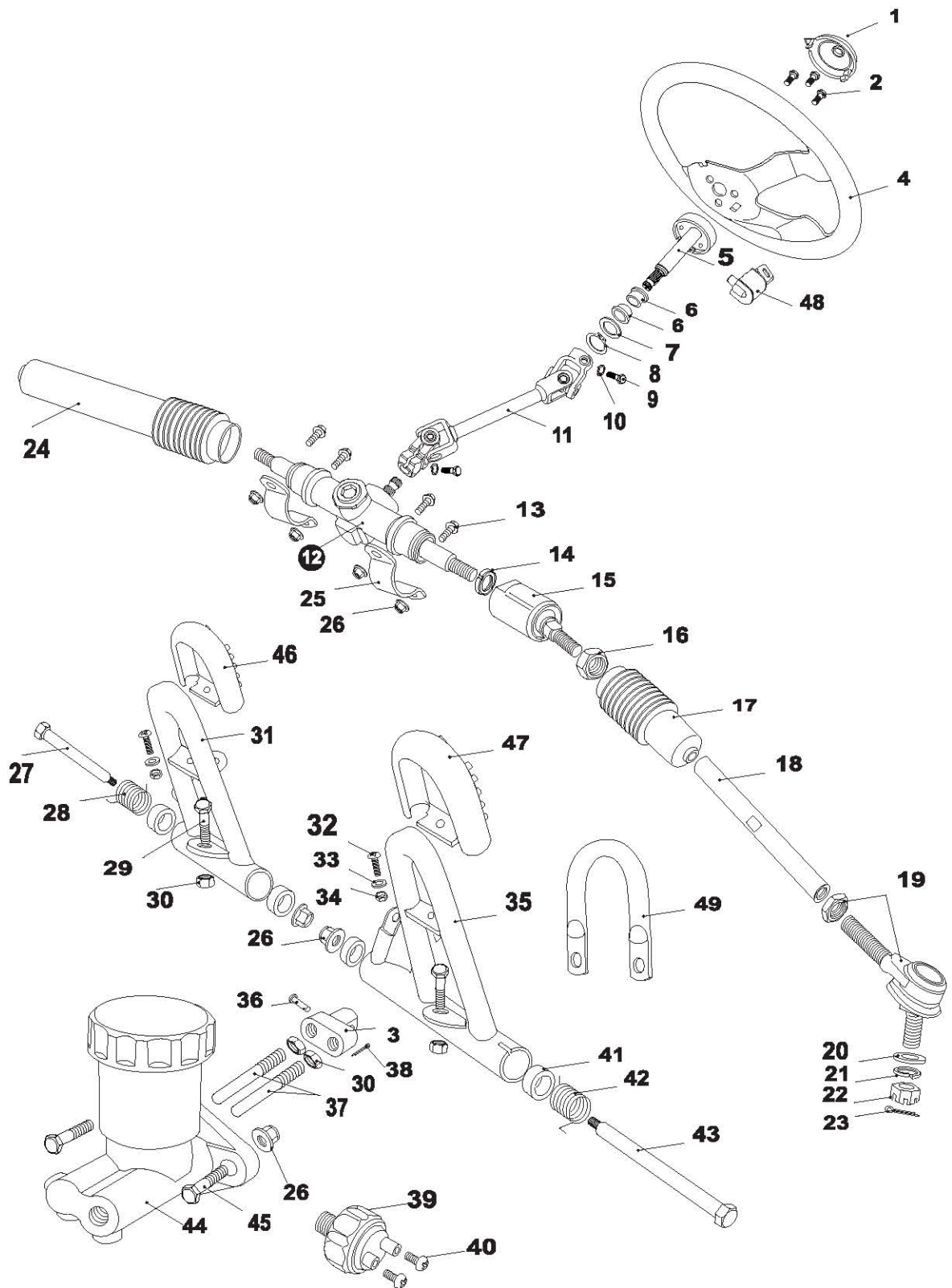


**F 2.****CHASSIS + ARCEAUX**

<b>N°</b>	<b>REF</b>	<b>QTE</b>	<b>Description</b>
30	B56210000001	2	GARDE BOUE AVANT MAT
31	B5706010000	1	BRACKEY.FRONT FENDER. LH
32	90020604000	2	BOLT
33	92400600001	10	NYLON LOCK NUT M6
34	B5661020000	4	RUBBER MOUNT.HEADLAMP
35	90200601600	6	BOLT-WASHER M6*16
36	B5616000000	1	REAR MIRROR COMP.
37	B5426010000	1	VIN PLATE - INDISPONIBLE
38	B5616030000	1	BOLT.
39	B5616010000	1	MOUNT.REAR MIRROR
40	B5616020000	1	SPRING.REAR MIRROR
41	B5616040000	1	MIRROR ASSY.
42	B561F020000	1	RH BACK MIRROR
43	B561F010000	1	LH BACK MIRROR
44	B570G010000	1	BRACKEY. FRONT FENDER. RH
45	B5701010000	2	COVER. ROBE-RAIL, LONG
46	B57010100001	2	COVER. ROBE-RAIL, SHORT
47	98231205001	2	POSITION LAMP
48	B5669010000	2	REFLECTOR, FRONT
49	B5663130000	2	BULB, SIGNAL LAMP
52	B5421450000	1	PGO PLATE
53	90200601600	2	BOLT-WASHER
54	92400600001	2	NYLON LOCK NUT. (M6)
55	92141000002	12	PLAIN WASHER FOR BRAKE HOSE BOLT.

# F3.

## **STEERING SHAFT ASSY.**

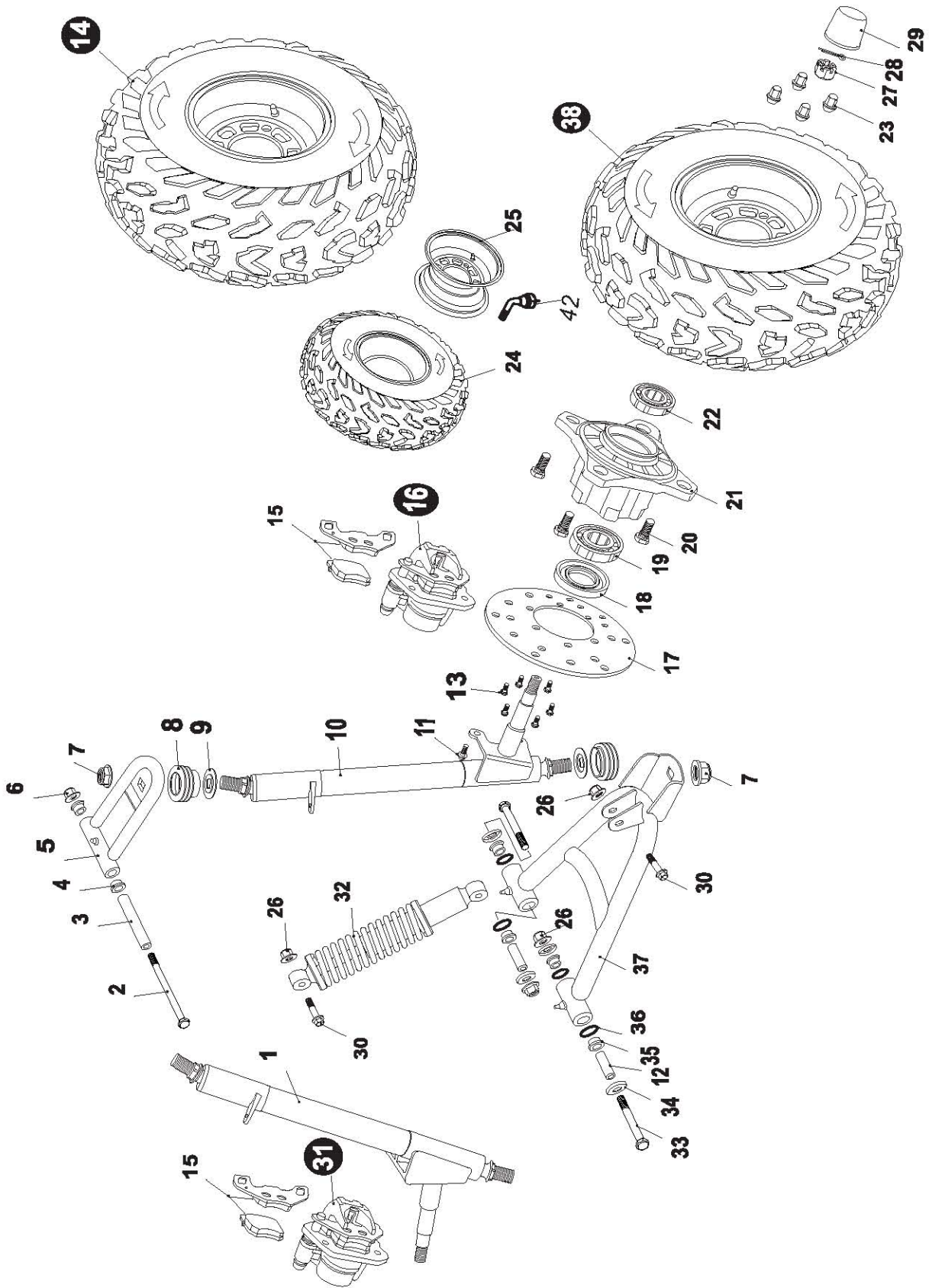


**F 3.****DIRECTION**

<b>N°</b>	<b>REF</b>	<b>QTE</b>	<b>Description</b>
1	B56120300001	1	COVER. STEERING BOLT
2	90190601200	3	BOLT STRAP M6*12
3	B5612040000	1	BRACKEY. SPINDLE
4	B56120000001	1	STEERING WHEEL
5	B56120100001	1	STEERING SHAFT 41CM
6	B5612050000	2	BUSH. STEERING SHAFT
7	B5612060000	1	SPECIAL WASHER.
8	B5706080000	1	CIRCLIP
9	90020802503	2	BOLT M8*25
10	92110800004	2	WASHER. LOCK
12	B74450000001	1	STEERING GEAR
13	90200802500	4	BOLT-WASHER M8*1.25*25
14	B5445080000	2	ROUND NUT M16*1.5
15	B74450100000	2	STEERING BALL JOINT
16	B5445020000	2	NUT
17	B74450300000	1	DUST COVER. L BALL JOINT
18	B74450400000	2	TIE ROD
19	B5445050000	2	ROD END
20	92141000014	2	WASHER. FLAT
21	92111000003	2	WASHER. LOCK
22	92071000000	2	NUT. CASTLE M10
23	93520201501	2	PIN.COTTER 2*15
24	B5445060000	1	DUST COVER. RH BALL JOINT
25	B5445070000	2	BRACKET. STEERING GEAR
26	92040800003	8	NUT.FLANGE LOCK M8
27	B5404260000	1	BOLT
28	B5404270000	1	SPRING
29	90200804000	2	BOLT-WASHER M8*1.25*40
30	92020800005	2	NUT M8
31	B5404210000	1	THROTTLE PEDAL COMP.
32	90070501501	2	SCREW. PAN M5*15
33	92140500017	2	WASHER. FLAT
34	92400500000	2	NYLON LOCK NUT M5
35	B5404200000	1	BRAKE PEDAL COMP.
36	93540602400	1	PIN. 6*24
37	B5445090000	2	PIN. SPINDLE
38	93520201201	1	PIN.COTTER 2*12
39	B5543900000	1	SWITCH ASSY. BRAKE LAMP
40	90070300600	2	SCREW. PAN M3*6
41	B5404240000	4	BUSH. PEDAL
42	B5404250000	1	SPRING. BRAKE PEDAL RETURN.R
43	B5404230000	1	BOLT.BRAKE PEDAL
44	B5403100000	1	MASTER CYLINDER
45	90200802700	2	BOLT-WASHER M8*1.25*27
46	B5404220000	1	"GO" PEDAL PAD
47	B5404280000	1	"STOP" PEDAL PAD
48	B55530000000	1	STEERING LOCK
49	B5706110000	1	MASTER CYLINDER BRACKET
50	90260601001	2	INNER DOUBLE BOX-END BOLT W HEAD
51	B5403900000	1	OIL SEAL SET FOR MASTER CYLINDER

# F4.

## SUSPENSION ARM ASSY.



**F 4.****SUSPENSION AVANT**

<b>N°</b>	<b>REF</b>	<b>QTE</b>	<b>Description</b>
1	B54211100003	1	SUPPORT. STRUT AND SPINDLE, RH
2	90200810500	2	BOLT-WASHER M8*1.25*105
3	B5446030000	2	COLLAR.UPPER SUSPENSION ARM
4	B5446020000	4	BUSH.UPPER SUSPENSION ARM
5	B5446010000	2	UPPER SUSPENSION ARM
6	92040800003	2	NUT.FLANGE LOCK M8
7	92041200003	4	NUT.FLANGE LOCK M12
8	B5446040000	4	DUST SEAL.BALL HEAD
9	B5446050000	4	SPACER.BALL HEAD
10	B54211200003	1	SUPPORT. STRUT AND SPINDLE, LH
11	90200801400	4	BOLT STRAP M8*14
12	B5447030000	4	COLLAR.LOWER SUSPENSION ARM
13	90200601200	12	BOLT STRAP M6*12
14	NA	1	FRT.WHEEL ASS'Y. , RH
15	B5403310000	2	PAD SET, FRT.BRAKE CALIPER
16	B5403300000	1	FRONT BRAKE CALIPER, LH
17	B5403500000	2	DISC, FRT. BRAKE
18	95572547700	2	DUST SEAL 47*25-7
19	96510620404	2	BEARING 6204
20	90201003100	8	BOLT. TIRE M10*1.25*31
21	B54011300002	2	HUB.FR.WHEEL
22	96510620303	2	BEARING 6203
23	92051000001	16	NUT.FLANGE LOCK M10
24	B540B3200001	2	TIRE, FRT (ON ROAD)
24	B540B3200002	2	TIRE, FRT (off road )
25	B5401100770	2	RIM, FRT (SILVER) - ACIER
25	B54011000001	2	RIM, FRT - ALU
26	92041000003	8	NUT, FLANGE LOCK M10
27	92071400000	2	NUT. CASTLE M14
28	93520202001	2	PIN.COTTER 3*30
29	B54071500001	2	WHEEL RUBBER - POUR JANTES ALU
30	90201004000	4	BOLT-WASHER M10*1.25*40
31	B540C300000	1	FRONT BRAKE CALIPER, RH
32	B74810100000	2	CUSHION ASSY., FRT
33	90201008000	4	BOLT-WASHER M10*1.25*80
34	B5447010000	8	DUST CAP.LOWER SUSPENSION ARM
35	B5447020000	8	BUSH.LOWER SUSPENSION ARM
36	95512100000	8	O-RING 21.2*2.65
37	B54470000001 ????	2	LOWER SUSPENSION ARM ASSY
38	NA	1	FRT.WHEEL ASS'Y., LH
42	X040B330000	2	VALVE, TIRE



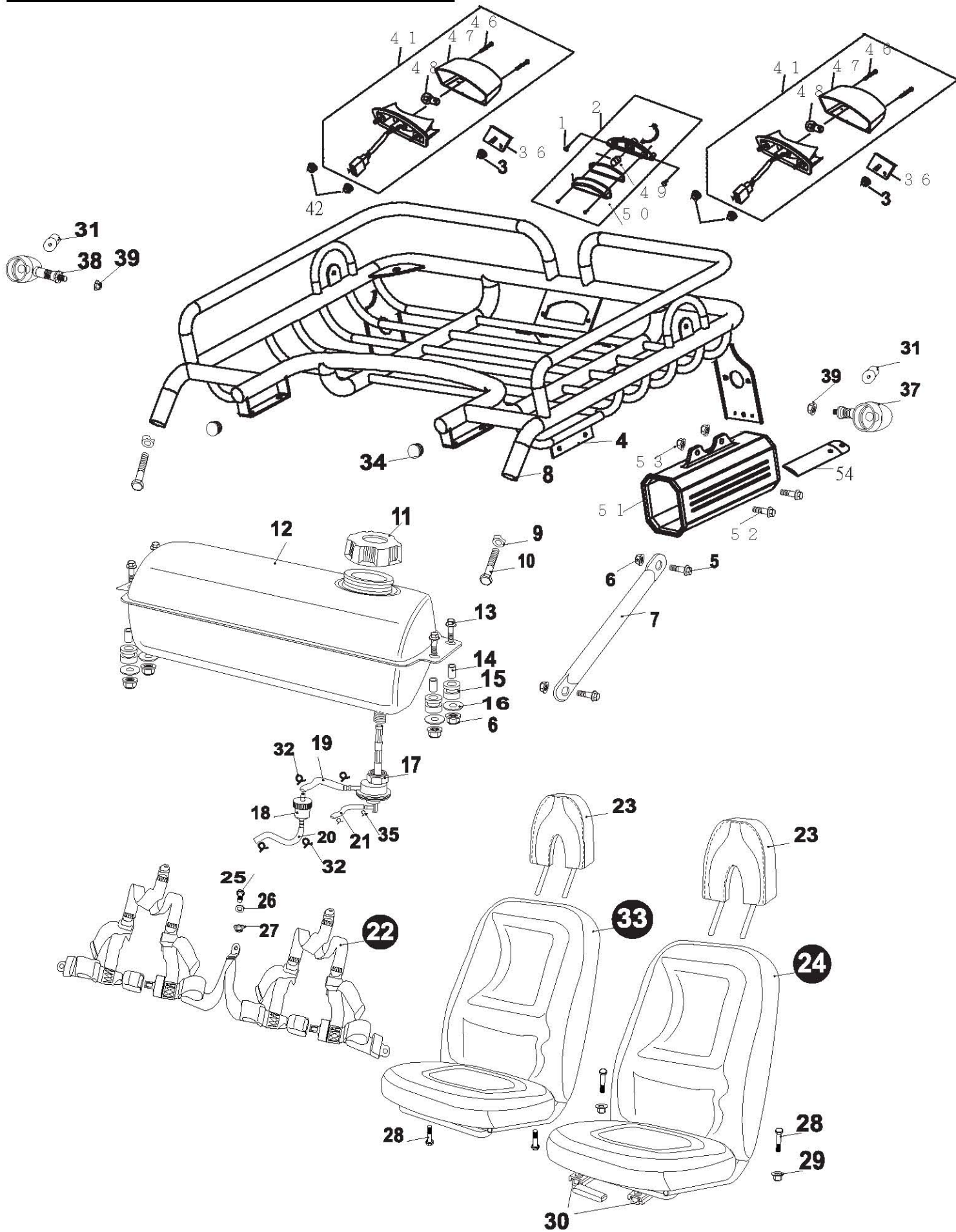


**F 5. SIEGES - RESERVOIR ESSENCE - PORTE CHARGE**

N°	REF	QTE	Description
1	90110401200	2	TAPPING SCREW
2	P56669000001	1	TAIL LIGHT
3	92020500000	4	HEXAGON FLANGE NUT
4	B76760007I01	1	REAR CARGO RACK (SILVER)
5	C5669000000	2	REFLECTOR
5	90200802000	4	BOLT-WASHER M8*1.25*20
6	92040800003	8	NUT.FLANGE LOCK M8
7	B56762107I0	2	SUPPORTER.REAR CARGO RACK (SILVER)
8	B5676220000	2	TUBE SEAT
9	B5701030000	2	R-WASHER
10	90200805501	2	BOLT STRAP M8*1.25*55
11	B55213000001	1	CAP COMP., FUEL FILLER
12	B55215007I0	1	TANK COMP. FUEL (SILVER) - 8 LITRES
13	90200802500	4	BOLT-WASHER M8*1.25*25
14	B5706050000	4	COLLAR.TANK COMP.
15	B5701040000	4	RUBBER MOUNT
16	92140800008	4	WASHER. FLAT
17	B5523000000	1	FUEL AUTOCHOCK ASS'Y.
18	B55260410000	1	FILTER
19	P652A2100001	1	TUBE COMP.FUEL #1
20	B5526022000	1	TUBE COMP.FUEL #2
21	B75260100001	1	TUBE COMP.VACUUM
22	B76710200000	1	BELT, SAFETY
24	B7671000000	1	SEAT COMP.,
25	B5706030000	1	BOLT. SPECIAL
26	B5701050000	1	WASHER.BELT
27	B5706040000	1	NUT. BELT
28	90020804001	2	BOLT STRAP M8*1.25*40
29	92040800003	2	NUT.FLANGE LOCK M8
30	B76713000000	1	RAIL SET.SEAT
32	92220900001	1	CLIP.FUEL TUBE
34	B5701060000	1	COVER.TUBE

F 5 .

# REAR CARGO RACK/SEAT/BELT

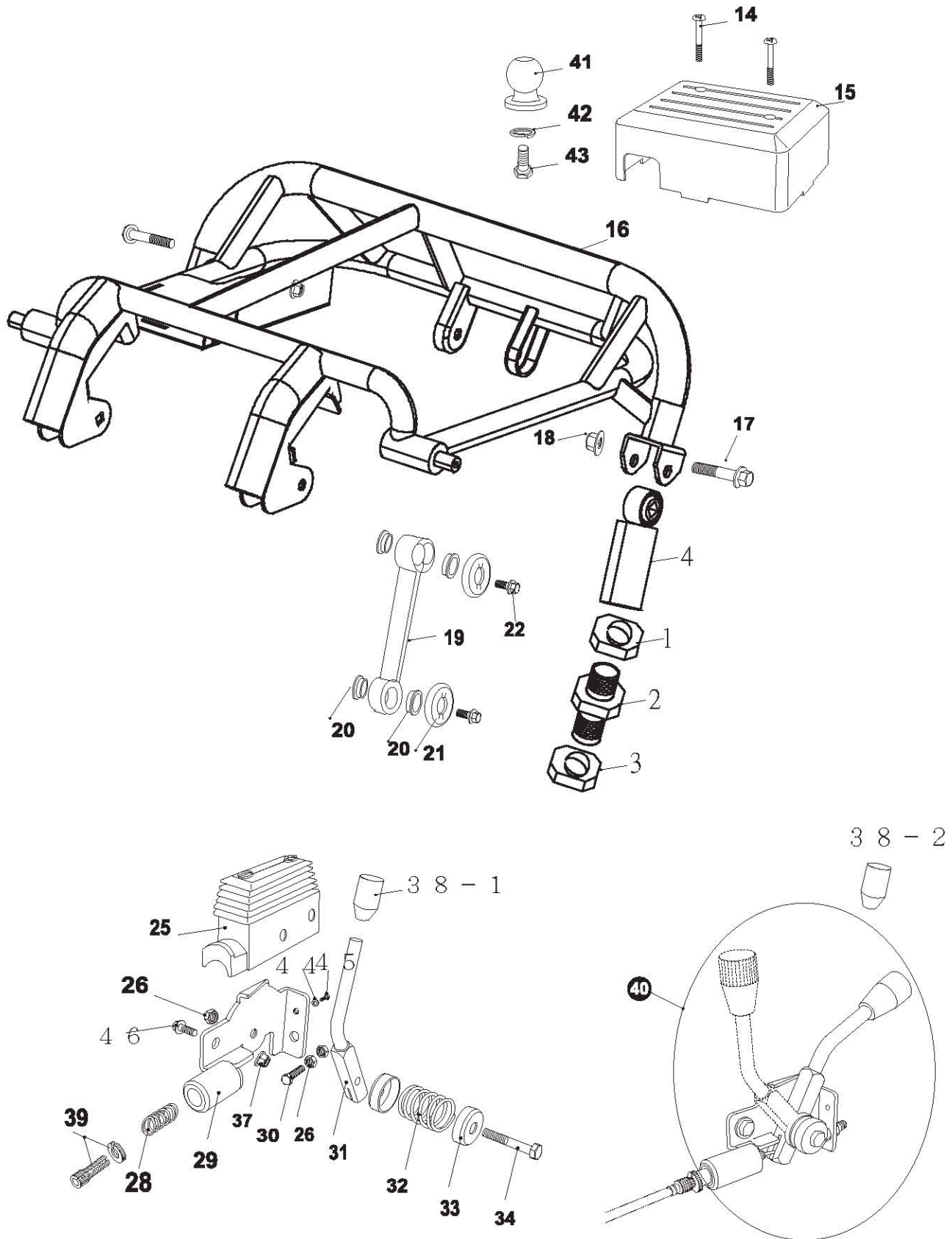


**F 5. SIEGES - RESERVOIR ESSENCE - PORTE CHARGE**

N°	REF	QTE	Description
35	E1706020000	2	CLIP.VACUUM TUBE
36	C5669000000	2	REFLECTOR
37	B566C010000	1	TIRN SIGNAL LAMP ASSY(RF,LR)
38	B566D010000	1	TIRN SIGNAL LAMP ASSY(LF,RR)
39	92021000001	4	HEXAGON NUT
40	92140500014	2	PLAIN WASHER
41	P16660000007	2	BACK LAMP ASSY
42	92040600000	4	HEXAGON FLANGE NUT
43	92111000000	4	SPRING WASHER
45	92141000000	4	PLAIN WASHER
46	P166F0600006	4	TAPPING SCREW
47	P166F0100006	2	LEN, BACK LAMP
48	P166F0400006	2	BULB, BACK LAMP
49	P566F9600000	1	BULB.LICENCE LIGHT
50	P566F9100000	1	LEN, LICENCE LIGHT
51	B57012300000	1	TOOL BOX
52	90020601600	2	HEXAGON BOLT
53	92040600004	2	HEXAGON FLANGE NUT
54	B77065400001	1	TOOL KIT

# F6-1. (FOR BR-50 & BR-250-SINGLE SEAT)

## REAR SWING ARM ASSY. UPPER



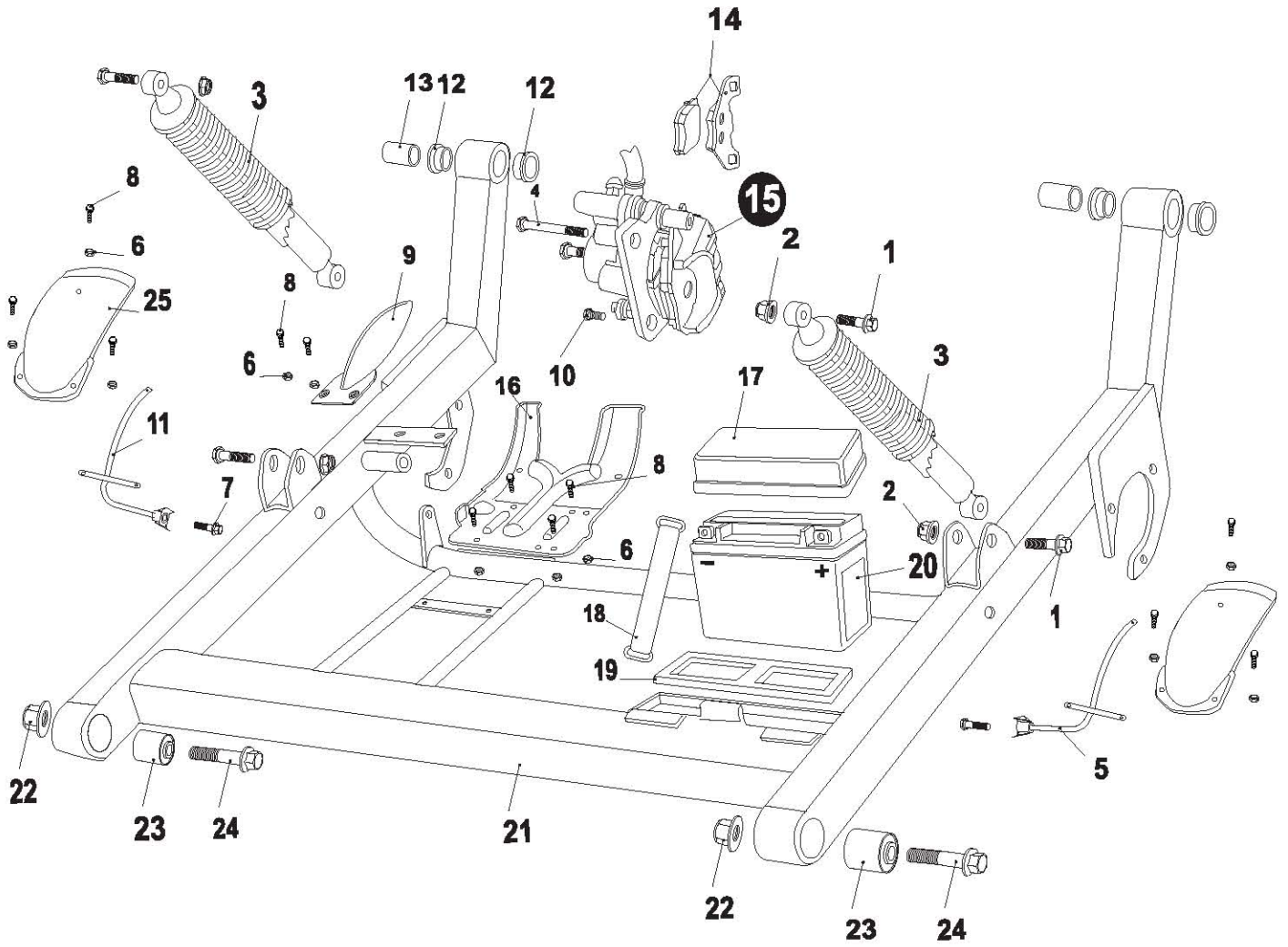
**F 6.****BERCEAU SUPERIEUR**

<b>N°</b>	<b>REF</b>	<b>QTE</b>	<b>Description</b>
1	92022700001	2	HEXAGON NUT
2	B6421500000	2	REGULATE BOLT
3	92022700000	2	HEXAGON NUT
4	B6421100000	2	JOINT, LOWER ARM
14	90070605500	2	SCREW. PAN M6*55
15	B5624060000	1	COVER.ELECTAIC ASS'Y
16	B74830106000	1	REAR SWING ARM ASS'Y., UPPER
17	90201206000	2	BOLT-WASHER M12*1.25*60
18	92041200003	2	NUT.FLANGE LOCK M12
19	B5483060000	2	CON'ROD
20	B5483070000	8	BUSH.CON'ROD
21	B5483080000	4	SPACER.CON'ROD
22	90200801600	4	BOLT-WASHER M8*1.25*16
25	B5451020000	2	COVER.REVERSE LEVER
26	92400800002	6	NYLON LOCK NUT M8
28	B5451080000	2	SPRING.LEVER
29	B5451010000	2	BRACKET.LEVER
30	90200803001	2	BOLT M8X30
31	B5451060000	2	LEVER.REVERSE,PARKING BRAKE
32	B5451070000	1	SPRING.CABLE
33	B5451090000	4	SPACER.LEVER
34	90200804000	2	BOLT-WASHER M8*1.25*40
37	92040800003	2	NUT.FLANGE LOCK M8
38	B545A060600	2	COVER.LEVER.GREEN/BLACK
39	B5451050000	2	ROD ADJUSTING.CABLE
40	B5451060000	2	PARING BRAKE/REVERSE LEVER ASS'Y
41	B5676020000	1	TOW BALL
42	92111800000	1	WASHER. LOCK
43	90021804000	1	BOLT M18*40
44	92140500017	2	PLAIN WASHER
45	90070501200	2	SCREW. PAN M5*12
46	90200802000	2	BOLT-WASHER M8*1.25*20

F7.

## REAR SWING ARM

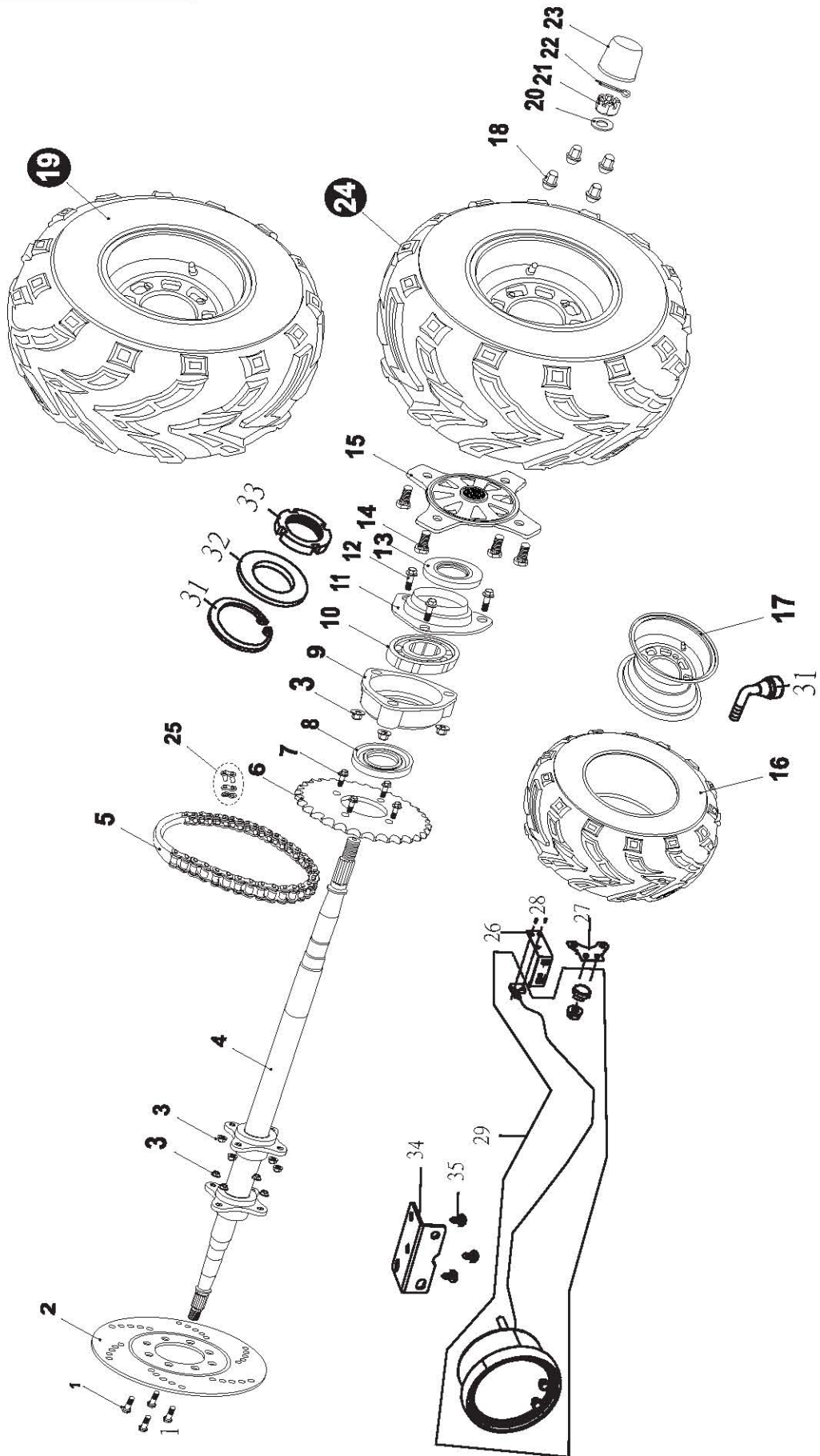
---



**F 7.****BERCEAU INFERIEUR**

<b>N°</b>	<b>REF</b>	<b>QTE</b>	<b>Description</b>
1	90201004000	4	BOLT-WASHER M10*1.25*40
2	92041000003	4	NUT.FLANGE LOCK M10
3	B74810200000	2	CUSHION ASS'Y.RR
4	90200810000	1	BOLT STRAP M8*1.25*100
5	B5634020000	1	BRACKET REAR FENDER.L
6	92400600001	12	NYLON LOCK NUT M6
7	90200804500	2	BOLT-WASHER M8*1.25*45
8	90200601600	12	BOLT-WASHER M6*16
9	B5634010000	1	COVER, DISC.RR
10	90200801201	1	BOLT STRAP M8*1.25*12
11	B5634030000	1	BRACKET REAR FENDER, RH
12	B5483040000	4	BUSH.SWING ARM
13	B5483050000	2	COLLAR.SWING ARM
14	B74074100000	1	PAD SET.RR.BRAKE
15	B74066000000	1	CALIPER ASS'Y., RR
16	B5406610000	1	GUARD.CHAIN.DISC
17	B5624030000	1	COVER.BATTERY
18	B5583030000	1	BAND, BATTERY
19	B5583010000	1	CUSHION.BATTERY UNDER
20	M2583000000	1	BATTERY
21	B74830000000	1	RR.SWING ARM COMP., UNDER
22	92041200003	2	NUT.FLANGE LOCK M12
23	B5701020000	2	CUSHION BUSH.SWING ARM
24	90201206000	2	BOLT-WASHER M12*1.25*60
25	B56340000001	2	GARDE BOUE ARRIERE MAT

# F 8 . REAR AXLE REAR HOUSING



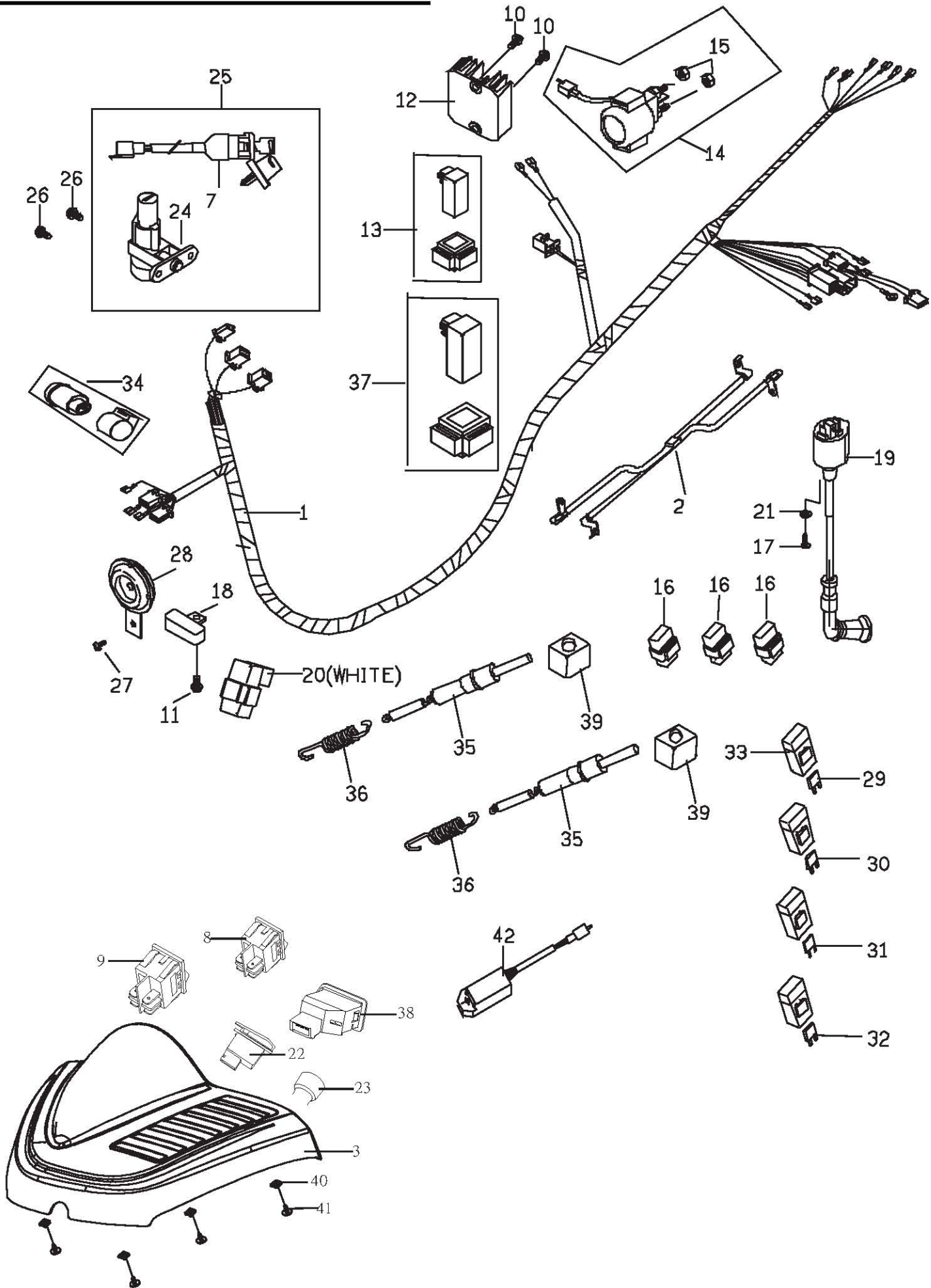


**F 8.****TRAIN ARRIERE**

<b>N°</b>	<b>REF</b>	<b>QTE</b>	<b>Description</b>
1	90200802200	4	BOLT-WASHER M8*1.25*22
2	B74068000000	1	DISC.RR.BRAKE
3	92040800003	14	NUT.FLANGE LOCK M8
4	B74074300001	1	REAR AXLE
5	B5485000000	1	DRIVING CHAIN
6	B74850200000	1	REAR SPROCKET
7	90200802700	4	BOLT-WASHER M8*1.25*27
8	B5407490000	2	DUST SEAL
9	B54074400001	2	HOUSING COMP.RR.AXLE BRG
10	96510620600	2	BEARING
11	B5407460000	2	BEARING BASE
12	90200804000	6	BOLT-WASHER M8*1.25*40
13	B5407170000	2	DUST SEAL
14	90191003100	8	BOLT. TIRE M10*1.25*31
15	B54071300002	2	HUB.REAR AXLE
16	B540G3200001	2	TIRE, RR (ON ROAD)
16	B540G3200002	2	TIRE, RR (off road)
17	B54071400001	2	RIM, RR
18	92041000003	8	NUT.FLANGE LOCK M10
19	NA	2	REAR WHEEL ASS'Y, RH
20	B5407480000	2	SPACER.RR.WHEEL
21	B5407160000	2	NUT.CASTLE
22	93520202000	2	PIN.COTTER 4*30
23	B54071500001	2	COVER.RR.HUB
24	NA	2	REAR WHEEL ASS'Y, LH
25	B5485030000	1	MASTER LINK, CHAIN
26	B54212620000	1	FIXED PLATE, SENSOR
27	X0561062000	1	FIXED PLATE 2, SENSOR
28	90050301000	2	C-R MACHINE TRUSS HD, TAPPING SCREW
29	B55610000003	1	SPEEDOMETER ASSY.
30	X040B330000	2	VALVE, TIRE
31	92166200000	1	RETAINING RING C TYPE
32	B5407500000	1	WASHER
33	B5407510000	1	BEARING NUT
34	B5706120000	1	FIXED PLATE, SPEEDOMETER
35	90130501400	3	CR ROUND HD TAPPING

F9.

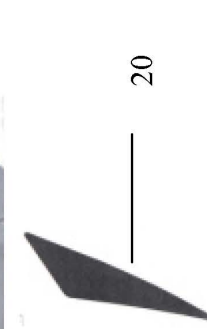
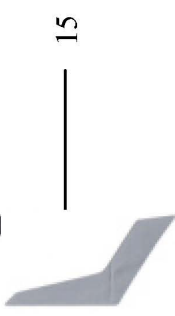
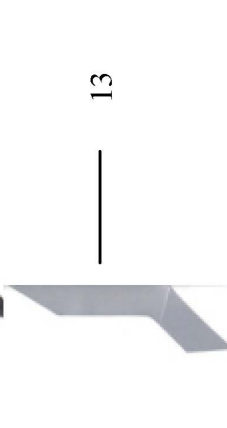
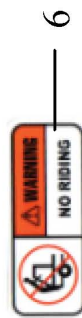
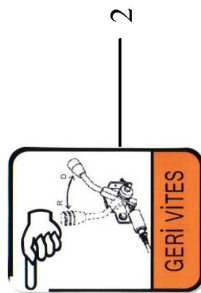
# WIRE HARNESS/ELECTRICAL



**F 9.****COMPOSANTS ET FAISCEAU ELECTRIQUES**

<b>N°</b>	<b>REF</b>	<b>QTE</b>	<b>Description</b>
1	B75816010001	1	WIRE HARNESS. (comprenant n° 29-30-31-32-33)
2	B75830210001	1	BATTERY (+,-) LINE COMP
3	B75439100000	1	SPEEDOMETER COVER
4	90050601500	2	SCREW.PAN M6*15
5	92140600021	2	WASHER. FLAT
6	92020600003	2	NYLON LOCK NUT M5
7	B65520000000	1	IGNITION SWITCH
9	B5545010000	1	HEADLAMP SWITCH
10	90190601200	2	HEXAGON FLANGE BOLT
11	90190601200	1	HEXAGON FLANGE BOLT
12	31600-KAM1-009.1	1	RECTIFIER COMP.REGULATE
13	30400-KHE7-900.2	1	UNIT COMP.,C.D.I
14	35850-KHD6-90B.1	1	STARTING RELAY
16	ES581200000	3	RELAY
17	90070502000	1	C-R MACHINE TRUSS HD, TAPPING SCREW
18	B75866000000	1	RESISTOR B COMP.
19	B75846000001	1	COIL COMP.IGNITION ASSY.
20	B75848010000	1	OVER HEAT LED CONTEROLER
21	92110500000	1	SPRING LOCK WASHER
22	B5545030000	1	HORN BUTTON
24	B5553000000	1	STEERING LOCK
25	B65510000000	1	LOCK COMP.
26	90260601001	2	HEAD INNER BOLT
27	90190601200	1	HEXAGON FLANGE BOLT(M6*15)
28	B5583600000	1	HORN.
29	98701205000	1	FUSE 5A
30	98701207500	1	FUSE 7.5A
31	98701210000	1	FUSE 10A
32	98701215000	1	FUSE 15A
33	98701200000	4	CASE, FUSE
34	P2586011000	1	SIGNAL FLASHER
35	B5581620000	2	SAFETY SWITCH,REVERSE GEAR
36	B5451101000	2	SPRING
37	C1581300000	1	REVERSE SAFETY UNIT
38	B5545020000	1	SIGNAL SWITCH
39	B5301110000	2	CAP, SAFETY SENSOR
40	92370500003	4	U TYPE SPRING NUT
41	90150501600	4	CR TRUSS HD TAPPING SCREW M5X16
42	M25847000000	1	CARBURETTOR,HEATING CONTROL
43	B558A010000	1	DIODE COMP.

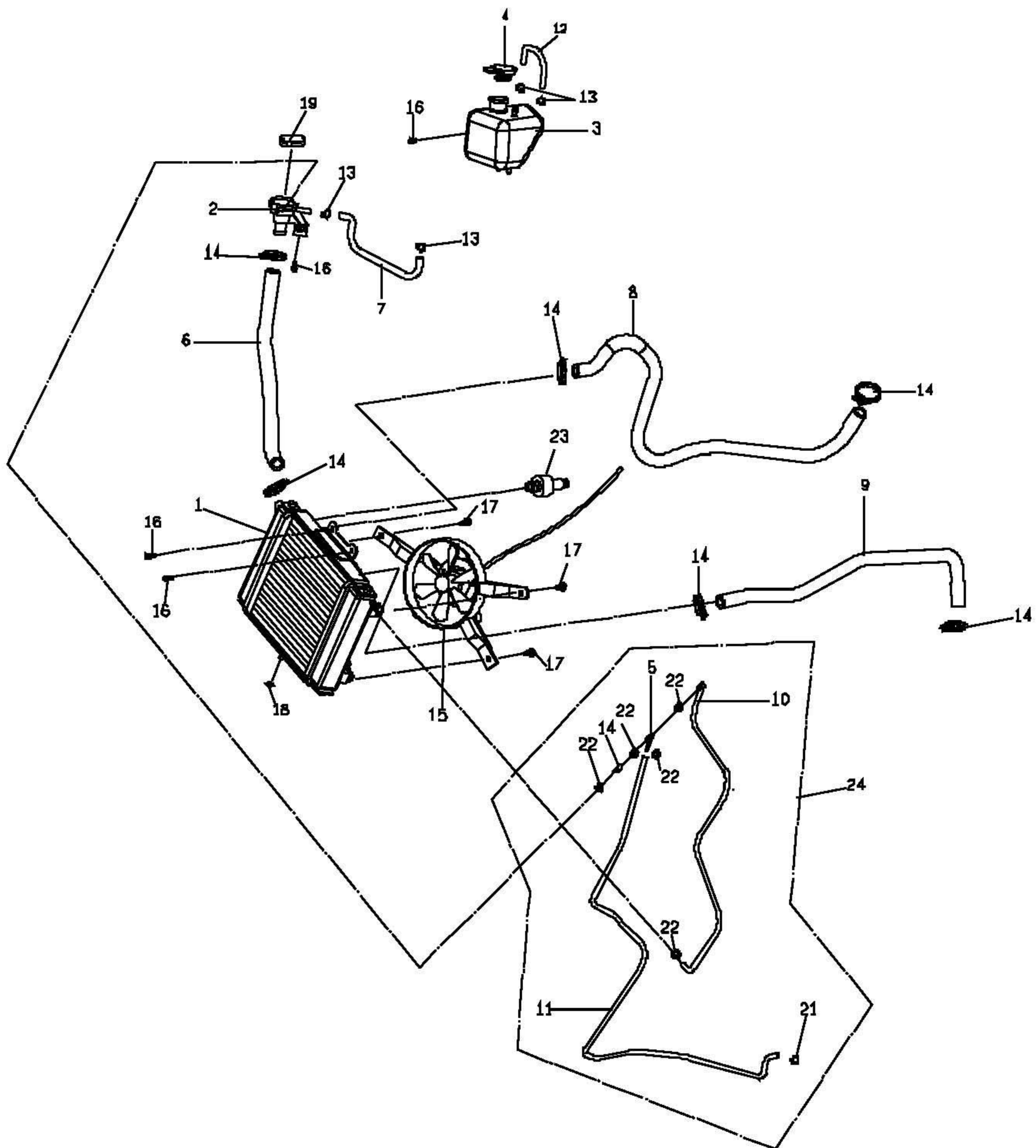
# F10.BR250 LABELS



**F 10.****AUTOCOLLANTS**

<b>N°</b>	<b>REF</b>	<b>QTE</b>	<b>Description</b>
1	B56031010000	1	LABEL.REVERSE LEVER
2	B56030210000	1	LABEL.PARKING BRAKE
3	B56031610000	1	LABEL.SEAT BELT
4	B56031210000	1	LABEL.NO LONG HAIR
5	B56031310000	1	LABEL.WARNING
6	B56031410000	1	LABEL.NO CLIMBING
7	B56031910000	1	LABEL.WARNING GEAR SHIFTING
8	B56031510000	1	LABEL.WARNING
10	B76010200000	1	RUH veneer board label(black)
12	B76010300000	1	LUH veneer board label(black)
14	B76010400000	1	RDH veneer board label(black)
16	B76010500000	1	LDH veneer board label (black)
22	B66010400000	1	PGO LABEL
		1	COOLANT WARNING LABEL
23	B76030200000	1	SHIFTING GEAR BOX WARNING LABEL
24	M26010200000	1	black PGO for tank

F11.  
WATER TANK ASSY



**F11.****CIRCUIT DE REFROIDISSEMENT**

<b>N°</b>	<b>REF</b>	<b>QTE</b>	<b>Description</b>
1	HE501000000	1	RADIATOR ASSY
2	HE501040000	1	CUP,VALVE
3	M2501010000	1	AUXILIARY COOL TANK
4	P1522300000	1	OIL COVER
5	C1286290000	1	3-WAY CONNECTOR
6	B75010500001	1	WATER PIPE(3)COOLER->PRESSURE VALVE
7	B75010600001	1	PIPE(4)RELEASE PRESSURE VALVE->RESERVE TANK
8	B75010300001	1	WATER PIPE (1) COOLER->PUMP
9	B75010400001	1	WATER PIPE(2)ENGINE->COOLER
10	M250A030000	1	WATER PIPE C
11	M250A010000	1	WATER PIPE A
12	B75010700001	1	OVERFLOW WATER PIPE
13	92262300000	2	PIPE CLIP
14	92262500000	4	PIPE CLIP
15	B76351000000	1	FAN, WATER TANK
16	90190601500	4	HEXAGON FLANGE BOLT (M6*15L)
17	90190601500	3	HEXAGON FLANGE BOLT (M6*16L)
18	92040600000	2	HEXAGON FLANGE NUT (M6*1.0P)
19	HE501050000	1	VALVE,DECOMPRESSION
20	M250A020000	1	WATER PIPE B
21	92220700000	1	PLATE CLAMP
22	92207000000	5	PIPE CLIP
23	M25010200005	1	SENSOR SWITCH
24	B75011000001	1	WATER PIPE ASSY.